

Scambiatori Aria-olio Serie HPAM

Air-oil heat-exchangers HPAM Series



ENMEGI





Gli scambiatori **SERIE HPAM EMMEGI** vengono normalmente utilizzati per il raffreddamento di circuiti oleodinamici siti in ambienti tipo **C3H** come classe di corrosione, con resistenza a 480 ore in nebbia salina neutra secondo normative **UNI EN ISO 9227**.

EMMEGI AIR-OIL HEAT EXCHANGERS HPAM SERIES are usually used for hydraulic systems located in environment type **C3H** corrosion class, with resistance for 480 hours in neutral salt fog in accordance to **UNI EN ISO 9227**.

HPAM

Denominazione codice prodotto
Ordering code

Aria-olio Serie HPAM
Air-oil HPAM Series

A125300

400B

2

1

MODELLO MODEL

- A125300 (HPAM06)
- A125400 (HPAM12)
- A125500 (HPAM18)
- A125600 (HPAM24)
- A125700 (HPAM30)
- A125800 (HPAM36)
- A125900 (HPAM42)
- A126000 (HPAM50)
- A126100 (HPAM52) Solo versione (AC)
Only(AC)version
- A126200 (HPAM72)
- A126300 (HPAM135)
- A126400 (HPAM180)
- A126500 (HPAM255)

TIPO DI MOTORIZZAZIONE FAN MOTOR TYPE

- 400B (Electric Motor AC 230-400V 50Hz / 265-460V 60Hz - 280-480V 60Hz - 400-690V 50HZ / 460-795V 60Hz)
- 2060 (Hydraulic Motor Gr.2 6 cc.) (HPAM 06 - 11)
- 2080 (Hydraulic Motor Gr.2 8 cc.) (HPAM 18 - 24)
- 2110 (Hydraulic Motor Gr.2 11 cc.) (HPAM 30 - 36)
- 2140 (Hydraulic Motor Gr.2 14 cc.) (HPAM 42)
- 2210 (Hydraulic Motor Gr.2 21 cc.) (HPAM 50 - 72)
- 3380 (Hydraulic Motor Gr.3 38 cc.) (HPAM 135)
- 3440 (Hydraulic Motor Gr.3 44 cc.) (HPAM 180 - 255)

TERMOSTATI THERMOSTATS

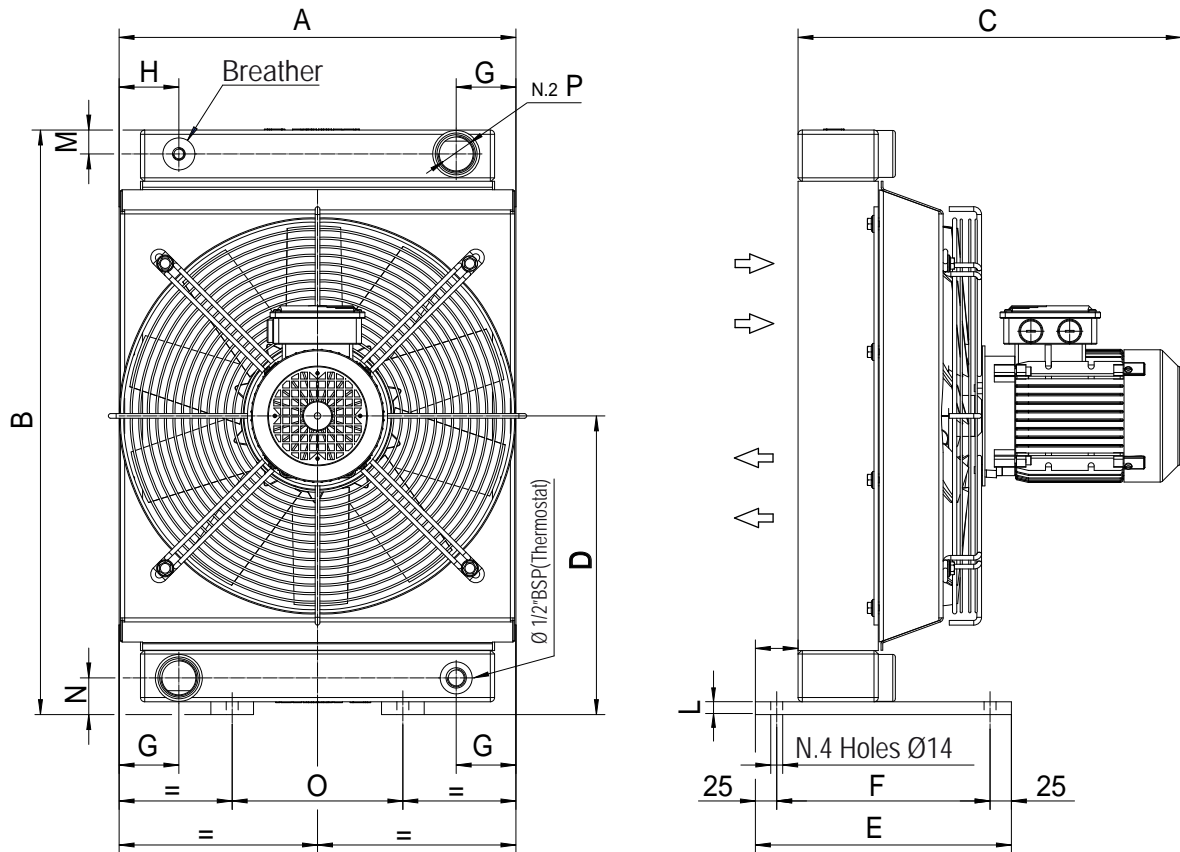
- 1 Termostato fisso Fixed thermostat 40-28°
- 2 Termostato fisso Fixed thermostat 50-38°
- 3 Termostato fisso Fixed thermostat 60-48°
- 4 Termostato fisso Fixed thermostat 70-58°
- 5 Termostato fisso Fixed thermostat 80-68°
- 6 Termostato fisso Fixed thermostat 90-78°

TIPO DI VENTILAZIONE VENTILATING TYPE

- 1 Aspirante Suction air flow
- 2 Soffiante Blowing air flow



Dimensioni Dimensions



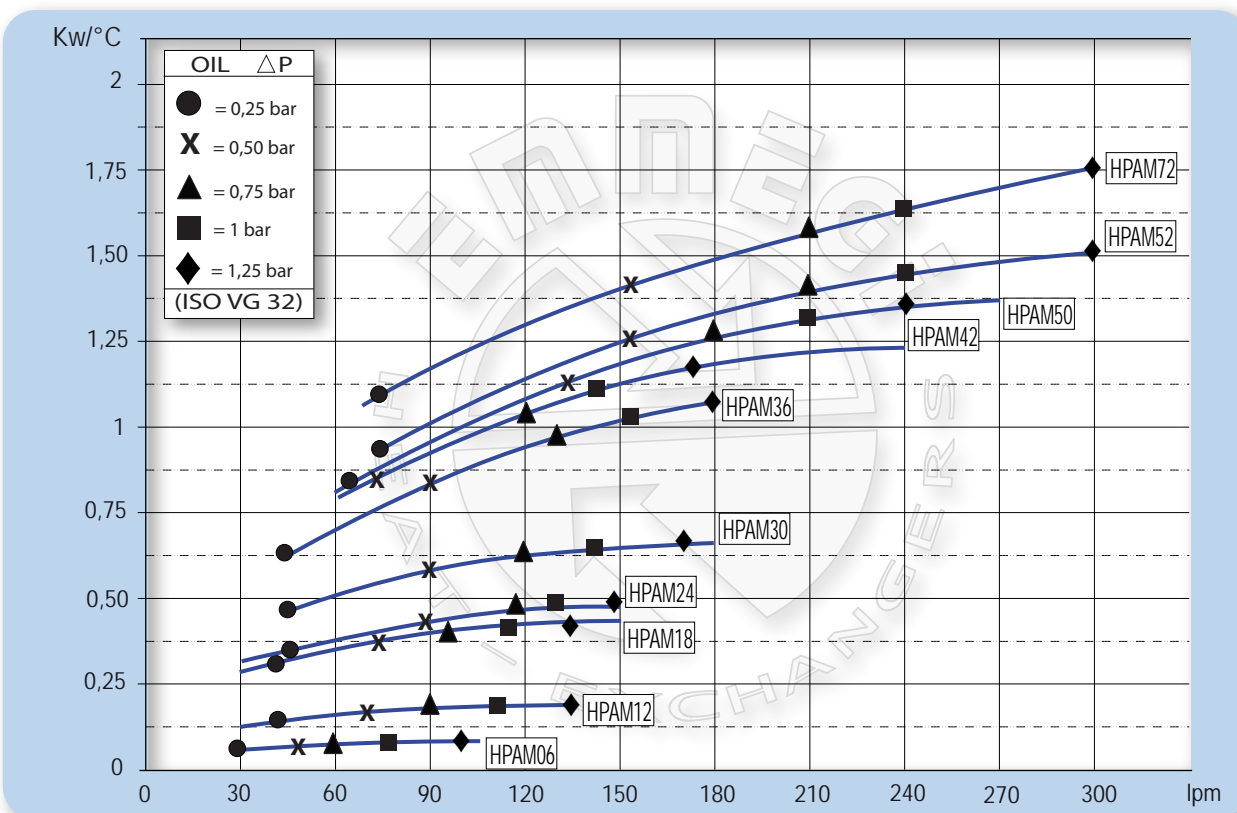
Modello Model	Codice Code	Dimensioni / Dimensions												
		A	B	C	D	E	F	G	H	L	M	N	O	P
HPAM06	A125300400B##	285	340	386	175	300	250	56	52	10	25	30	100	Ø 3/4" BSP
HPAM12	A125400400B##	357	400	393	205	250	200	65	50	10	25	35	150	Ø 1" BSP
HPAM18	A125500400B##	450	510	421	260	250	200	65	50	10	25	35	200	Ø 1" BSP
HPAM24	A125600400B##	450	535	452	275	300	250	70	70	15	28	43	200	Ø 1 1/4" BSP
HPAM30	A125700400B##	465	685	452	350	300	250	70	70	15	28	43	200	Ø 1 1/4" BSP
HPAM36	A125800400B##	610	785	460	400	300	250	72	72	15	28	43	310	Ø 1 1/4" BSP
HPAM42	A125900400B##	606	935	502	475	300	250	70	70	15	28	43	310	Ø 1 1/4" BSP
HPAM50	A126000400B##	725	955	583	485	300	250	86	86	15	35	50	400	Ø 1 1/2" BSP
HPAM52	A126100400B##	725	955	573	485	300	250	86	86	15	35	50	400	Ø 1 1/2" BSP
HPAM72	A126200400B##	725	955	603	485	300	250	86	86	15	35	50	400	Ø 1 1/2" BSP

Le dimensioni di ingombro e le caratteristiche tecniche non sono impegnative
Over-all dimensions and technical characteristic are not binding



Modello Model	Codice Code	Dati tecnici / Technical Data								
		V	Hz	Kw	A	rpm	dB (A)	IP	It	Kg
HPAM06	A125300400B##	230/400	50	0,25	1,2 / 0,69	1400	62	56	1,2	13
		280/480	60	0,30	1,187 / 0,69	1680	66			
HPAM12	A125400400B##	230/400	50	0,25	1,2 / 0,69	1400	74	56	1,9	17
		280/480	60	0,30	1,187 / 0,69	1680	78			
HPAM18	A125500400B##	230/400	50	0,37	1,81 / 1,04	1366	74	56	2,9	20
		280/480	60	0,44	1,78 / 1,04	1639	78			
HPAM24	A125600400B##	230/400	50	0,55	2,58 / 1,49	1391	76	56	6,2	28
		280/480	60	0,66	2,567 / 1,49	1669	80			
HPAM30	A125700400B##	230/400	50	0,75	3,46 / 1,90	1394	73	56	6,8	37
		280/480	60	0,90	3,41 / 1,99	1673	77			
HPAM36	A125800400B##	230/400	50	1,1	4,35 / 2,50	1378	76	56	9,4	60
		280/480	60	1,32	4,29 / 2,50	1654	84			
HPAM42	A125900400B##	230/400	50	1,1	4,35 / 2,50	1378	80	56	10,6	65
		280/480	60	1,32	4,29 / 2,50	1654	84			
HPAM50	A126000400B##	230/400	50	1,1	4,77 / 2,74	915	79	56	14,2	90
		280/480	60	1,32	4,70 / 2,74	1098	83			
HPAM52	A126100400B##	230/400	50	1,1	4,77 / 2,74	915	79	56	17,7	95
		280/480	60	1,32	4,70 / 2,74	1098	82			
HPAM72	A126200400B##	230/400	50	2,2	8,3 / 4,8	1435	83	56	17,7	105
		265/460	60	2,5	8,3 / 4,8	1722	86			

Diagramma rendimento & Perdite di carico (ISO VG 32) @ 40°C Performance & Pressure drop diagram (ISO VG 32) @ 40°C

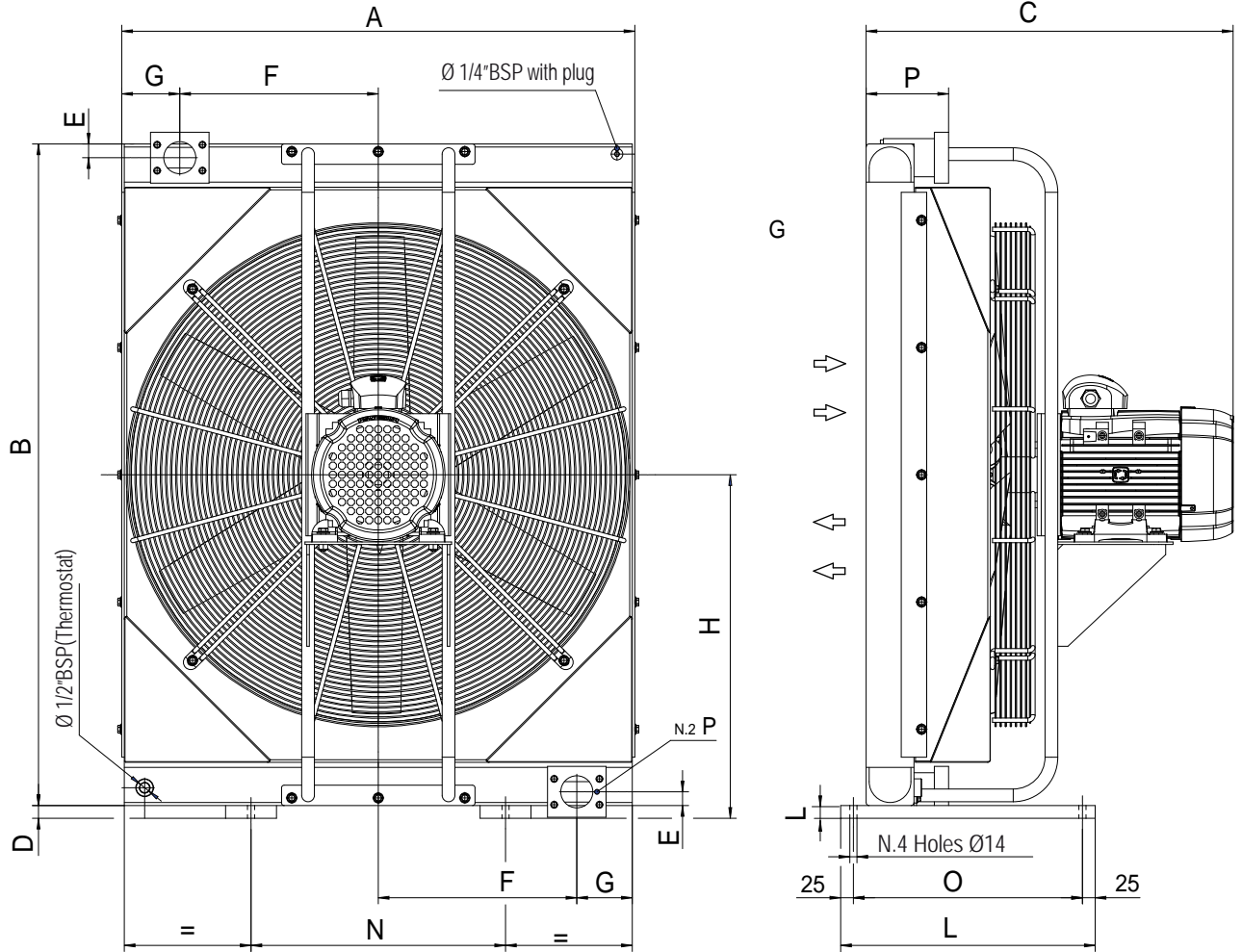


I diagrammi si riferiscono alle versioni a 50Hz / The diagrams refer to 50Hz versions
Per versioni a 60Hz Contattare EMMEGI / For 60Hz versions contact EMMEGI

Fattore di correzione - F - (perdite di carico) Correction factor - F - (Pressure drop)

cst	10	15	20	30	40	50	60	80	100	200	300
F	0,5	0,65	0,77	1	1,2	1,4	1,6	1,9	2,1	3,3	4,3

Dimensioni Dimensions



Le dimensioni di ingombro e le caratteristiche tecniche non sono impegnative
 Over-all dimensions and technical characteristic are not binding

Modello Model	Codice Code	Dimensioni / Dimensions												
		A	B	C	D	E	F	G	H	L	M	N	O	P
HPAM135	A126300400B01	1008	1300	706	25	27	390	109	675	500	SAE 2.1/2"*	500	450	162
HPAM180	A126400400B01	1008	1290	776	25	27	390	109	670	500	SAE 2.1/2"*	500	450	181
HPAM255	A126500400B01	1182	1310	957	25	27	477	109	680	700	SAE 2.1/2"*	650	650	228

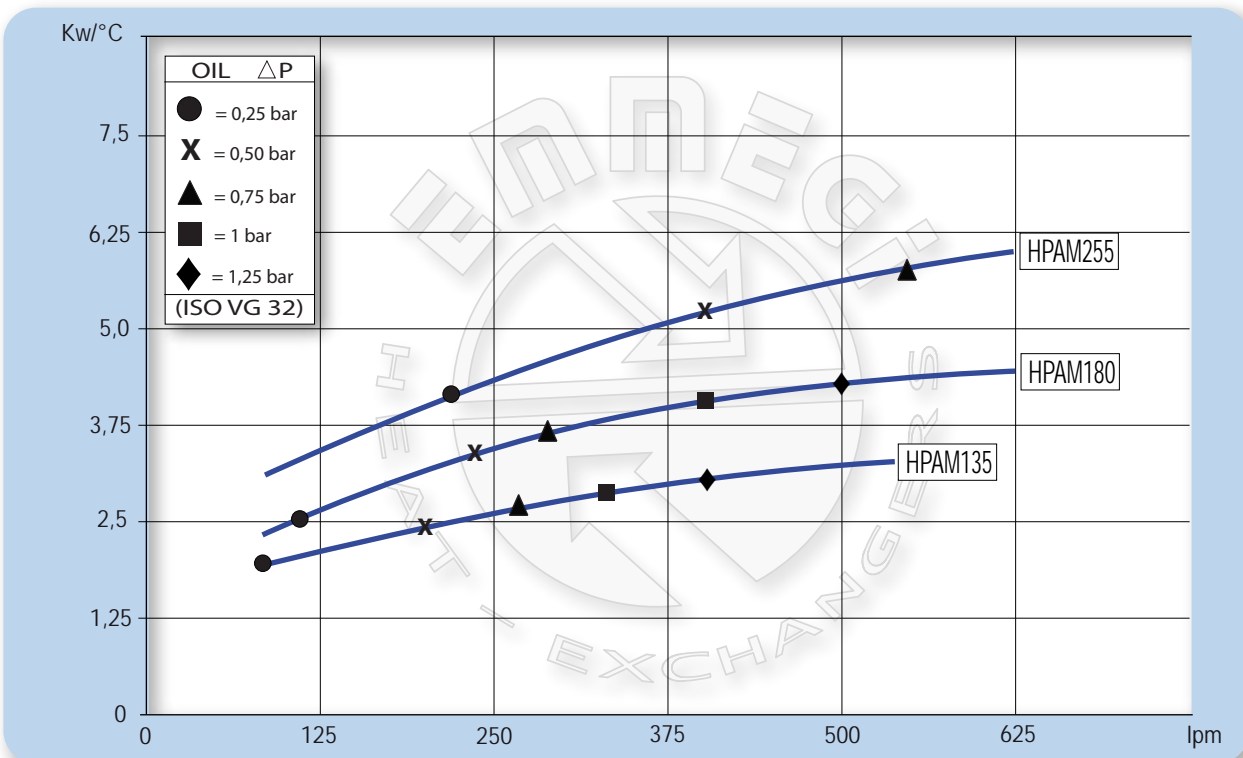
* Flange: SAE 3000

HPAM AC Electric Motor



Modello Model	Codice Code	Dati tecnici / Technical Data								
		V	Hz	Kw	A	rpm	dB(A)	IP	It	Kg
HPAM135	A126300400B##	230/400	50	3	12,1 / 7,0	969	80	56	26	126
		265/460	60	3,5	12,1 / 7,0	1163	84			
HPAM180	A126400400B##	400/690	50	7,5	14,4 / 8,3	1450	89	56	31	200
		460/795	60	8,6	14,4 / 8,3	1740	93			
HPAM255	A126500400B##	400/690	50	15	28,1 / 16,3	1456	96	56	56	358
		460/795	60	17,3	28,1 / 16,3	1747	100			

Diagramma rendimento & Perdite di carico (ISO VG 32) @ 40°C Performance & Pressure drop diagram (ISO VG 32) @ 40°C

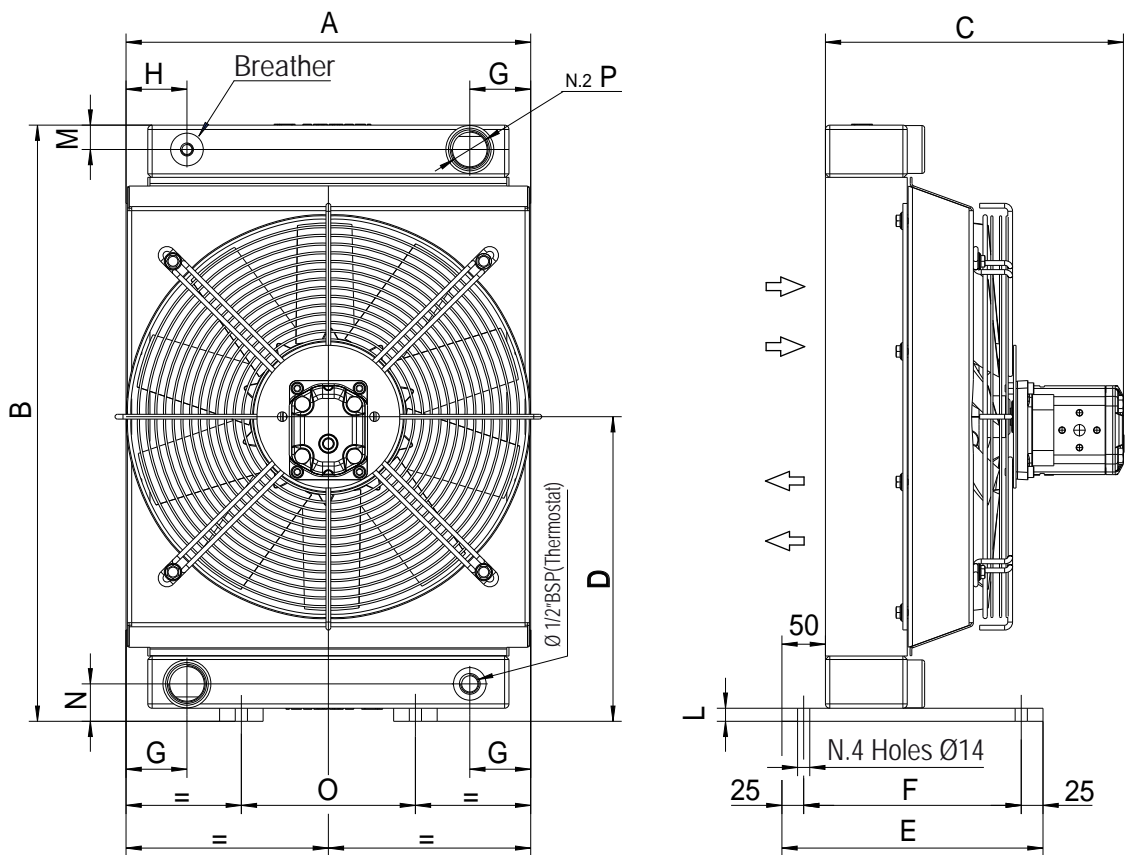


I diagrammi si riferiscono alle versioni a 50Hz / The diagrams refer to 50Hz versions
Per versioni a 60Hz Contattare EMMEGI / For 60Hz versions contact EMMEGI

Fattore di correzione - F - (perdite di carico) Correction factor - F - (Pressure drop)

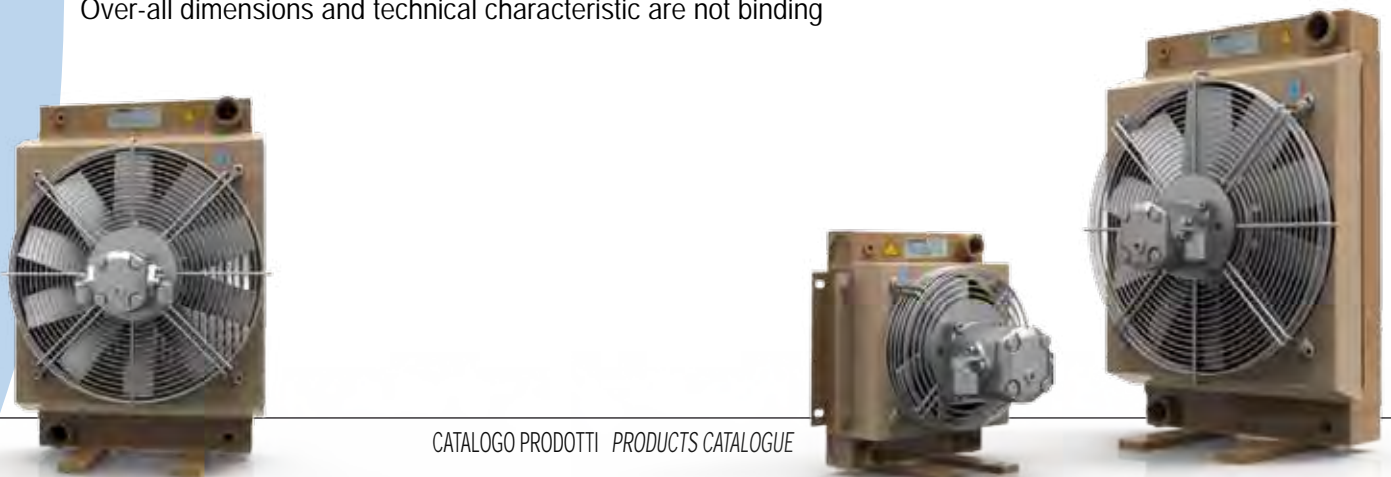
cst	10	15	20	30	40	50	60	80	100	200	300
F	0,5	0,65	0,77	1	1,2	1,4	1,6	1,9	2,1	3,3	4,3

Dimensioni Dimensions



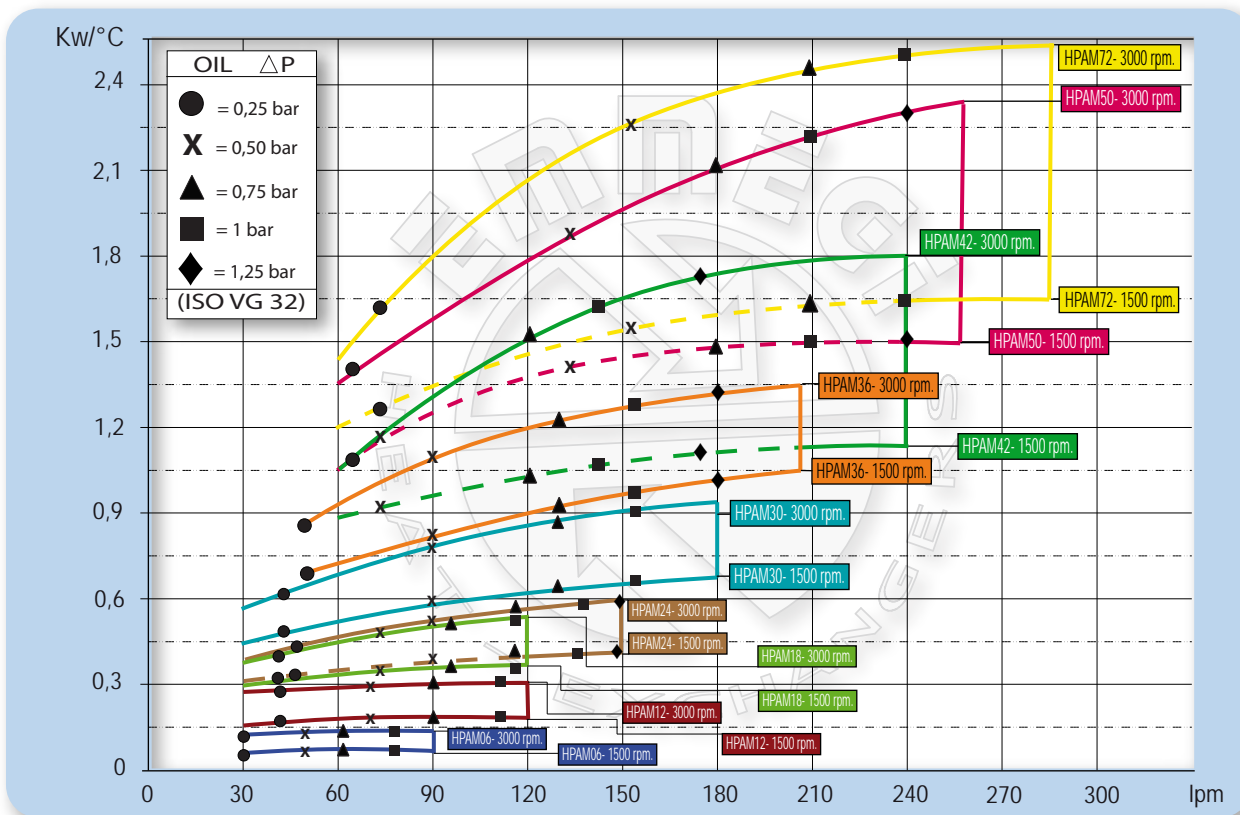
Modello Model	Codice Code	Dimensioni / Dimensions												
		A	B	C	D	E	F	G	H	L	M	N	O	P
HPAM06	A1253002060##	285	340	269	175	250	200	56	52	10	25	30	100	Ø 3/4" BSP
HPAM12	A1254002060##	357	400	282	205	250	200	65	50	10	25	35	150	Ø 1" BSP
HPAM18	A1255002080##	450	510	286	260	250	200	65	50	10	25	35	200	Ø 1" BSP
HPAM24	A1256002080##	450	535	317	275	300	250	70	70	15	28	43	200	Ø 1 1/4" BSP
HPAM30	A1257002110##	465	685	322	250	300	250	70	70	15	28	43	200	Ø 1 1/4" BSP
HPAM36	A1258002110##	610	785	319	400	300	250	72	72	15	28	43	310	Ø 1 1/4" BSP
HPAM42	A1259002140##	606	935	326	475	300	250	70	70	15	28	43	310	Ø 1 1/4" BSP
HPAM50	A1260002210##	725	955	382	485	300	250	86	86	15	35	50	400	Ø 1 1/2" BSP
HPAM72	A1262002210##	725	955	430	485	300	250	86	86	15	35	50	400	Ø 1 1/2" BSP

Le dimensioni di ingombro e le caratteristiche tecniche non sono impegnative
Over-all dimensions and technical characteristic are not binding



Modello Model	Codice Code	Dati tecnici / Technical Data					
		RPM	Hydraulic Motor Data		dB (A)	lt	Kg
			CC	bar			
HPAM06	A1253002060##	1500	6	1	64	1,2	12
		3000	6	4	79		
HPAM12	A1254002060##	1500	6	8	75	1,9	16
		3000	6	31	90		
HPAM18	A1255002080##	1500	8	18	76	2,9	20
		3000	8	72	91		
HPAM24	A1256002080##	1500	8	15	48	6,2	27
		3000	8	59	93		
HPAM30	A1257002110##	1500	11	18	74	6,8	35
		3000	11	72	89		
HPAM36	A1258002110##	1500	11	28	78	9,4	54
		3000	11	113	93		
HPAM42	A1259002140##	1500	14	26	82	10,6	60
		3000	14	106	97		
HPAM50	A1260002210##	1500	21	49	88	14,2	85
		3000	21	197	103		
HPAM72	A1262002210##	1500	21	39	85	17,7	92
		3000	21	157	99		

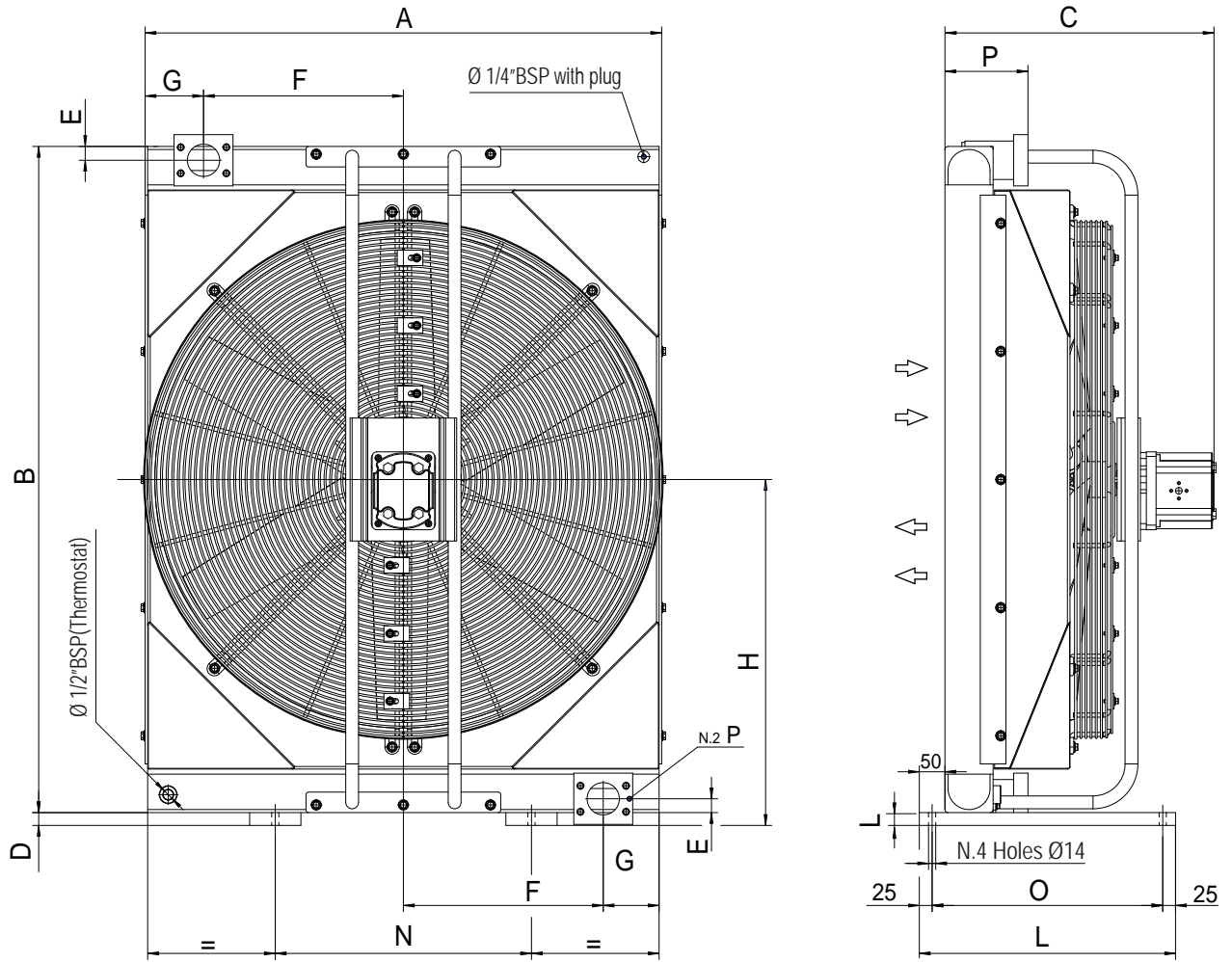
Diagramma rendimento & Perdite di carico (ISO VG 32) @ 40°C Performance & Pressure drop diagram (ISO VG 32) @ 40°C



Fattore di correzione - F - (perdite di carico) Correction factor - F - (Pressure drop)

cst	10	15	20	30	40	50	60	80	100	200	300
F	0,5	0,65	0,77	1	1,2	1,4	1,6	1,9	2,1	3,3	4,3

Dimensioni Dimensions



Le dimensioni di ingombro e le caratteristiche tecniche non sono impegnative
Over-all dimensions and technical characteristic are not binding

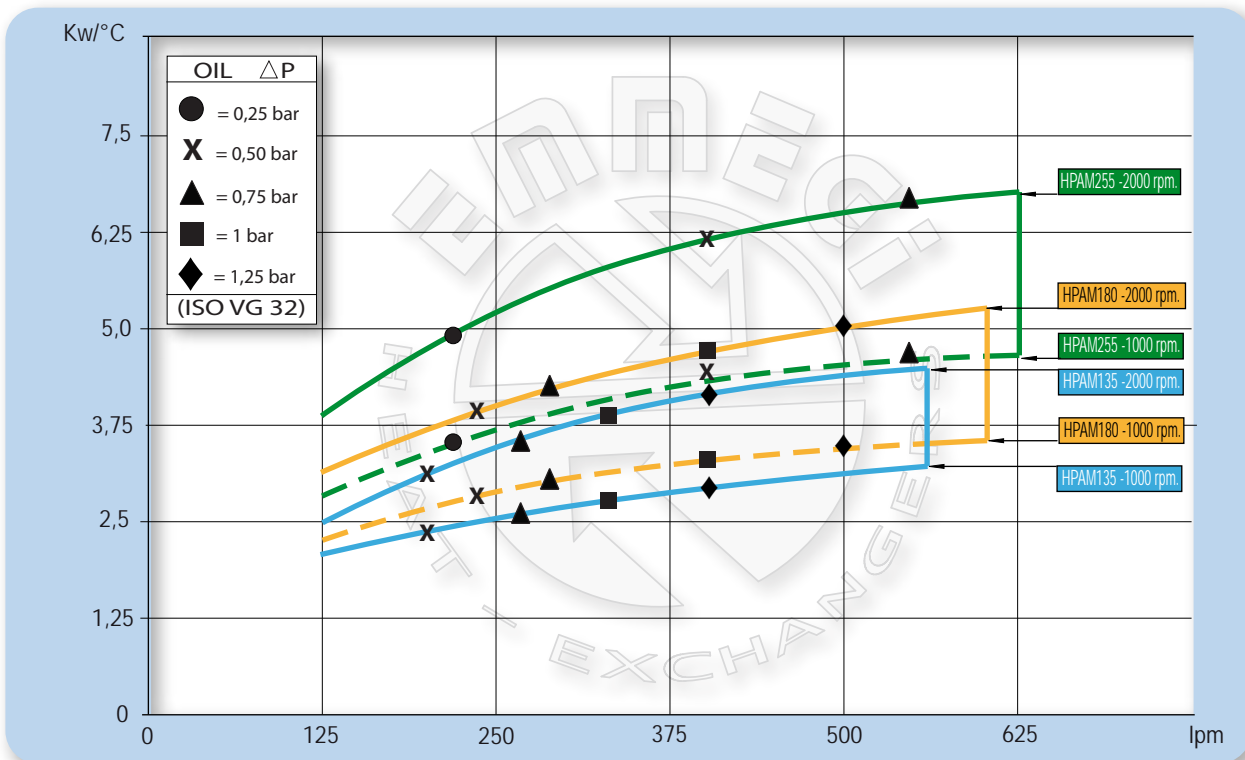
Modello Model	Codice Code	Dimensioni / Dimensions												
		A	B	C	D	E	F	G	H	L	M	N	O	P
HPAM135	A1263003380##	1008	1300	535	25	27	390	109	675	500	SAE 2.1/2" *	500	450	162
HPAM180	A1264003440##	1008	1290	557	25	27	390	109	670	500	SAE 2.1/2" *	500	450	181
HPAM255	A1265003440##	1182	1310	604	25	27	477	109	680	700	SAE 2.1/2" *	650	650	228

* Flange: SAE 3000



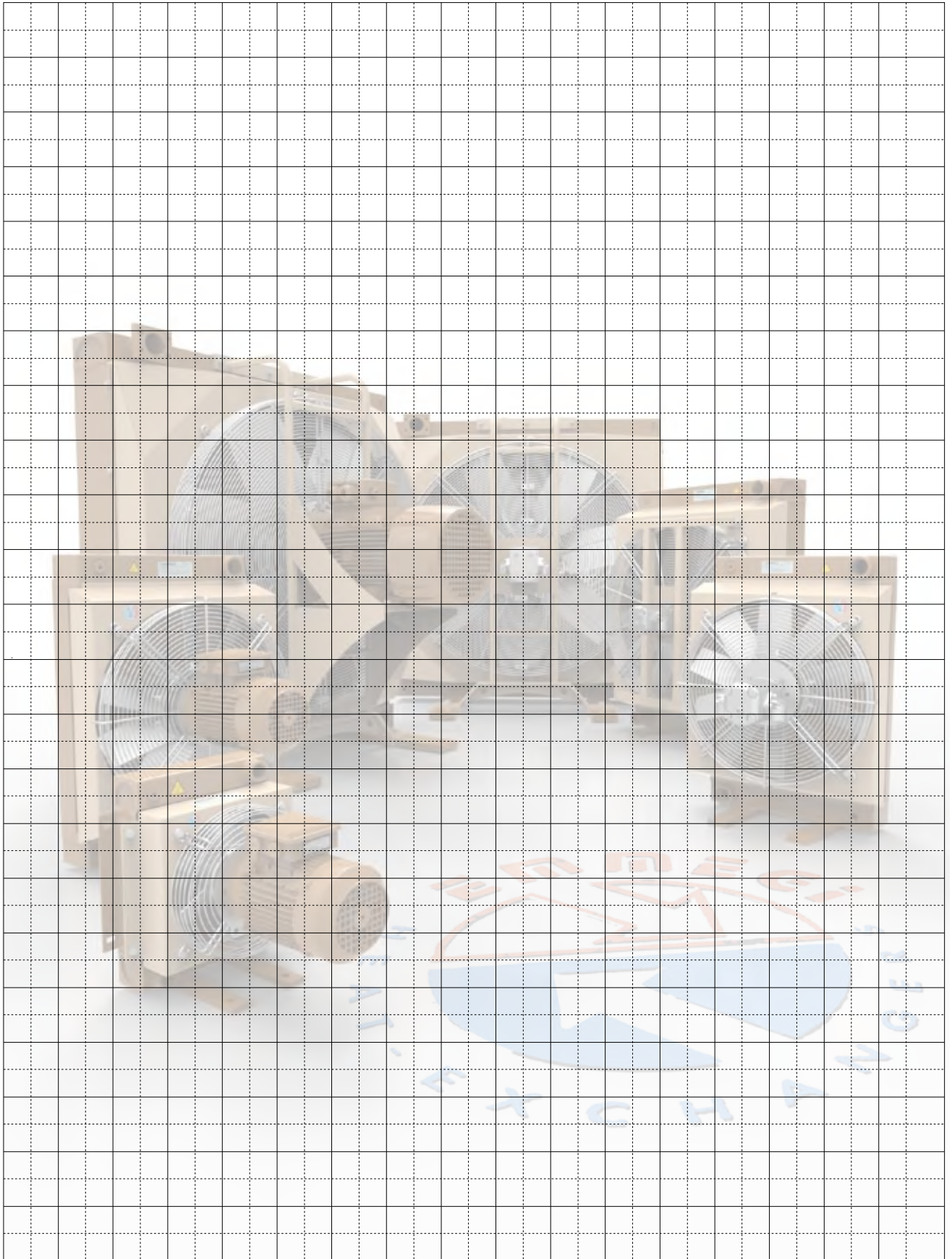
Modello Model	Codice Code	Dati tecnici / Technical Data					
		RPM	Hydraulic Motor Data		dB (A)	lt	Kg
			CC	bar			
HPAM135	A1263003380##	1000	38	34	83	26	84
		2000	38	134	98		
HPAM180	A1264003440##	1000	44	27	83	31	140
		2000	44	106	98		
HPAM255	A1265003440##	1000	44	52	87	56	263
		2000	44	206	102		

Diagramma rendimento & Perdite di carico (ISO VG 32) @ 40°C Performance & Pressure drop diagram (ISO VG 32) @ 40°C



Fattore di correzione - F - (perdite di carico) Correction factor - F - (Pressure drop)

cst	10	15	20	30	40	50	60	80	100	200	300
F	0,5	0,65	0,77	1	1,2	1,4	1,6	1,9	2,1	3,3	4,3



- *Alla ricerca di un continuo miglioramento del prodotto, EMMEGI S.p.A. si riserva il diritto di approntare modifiche ai dati e alle caratteristiche illustrate nel catalogo.*
- *La riproduzione, anche parziale, del presente catalogo è vietata ai termini di legge.*
- *Questo catalogo sostituisce tutti i precedenti.*

- *As EMMEGI S.p.A. are always investigating methods of improving products and introducing new technology, we reserve the right to modify without notice the data features shown in this catalogue.*
- *The reproduction, even partial of this catalogue is forbidden by law.*
- *This catalogue replace all the previous one.*

USA

EMMEGI HEAT EXCHANGERS Inc.

(Main Office and Manufacturing)

3606 E. Southern Ave. Suite 2

Phoenix, AZ 85040 USA

Ph. +1 602 438 7101

Fax +1 602 438 7127

<http://www.emmegiinc.com>

sales@emmegiinc.com

CHINA

EMMEGI HEAT EXCHANGERS

(Beijing) Co.,Ltd.

Unit 706,7/ F. Building A, China

Foreign Language Mansion,

89 West, 3 rd Ring (N) Road,

Haidian District, Beijing,

PR.China, Post code: 100089

Ph. + 86 10 88820971- Fax + 86 10 88820972

<http://www.emmegi-heat-exchangers.com>

stefano@emmegi-heat-exchangers.com

SWEDEN/FINLAND

EMMEGI HEAT EXCHANGERS

NORDIC AB.

Box 1136

262 22 ANGELHOLM

Visitors: Nybrovagen 4

Ph. + 46 (0) 431- 415096

Fax + 46 (0) 431- 415099

<http://www.emmegi-heat-exchangers.com>

info.nordic@emmegi-heat-exchangers.com

UK

EMMEGI HEAT EXCHANGERS UK LTD

Unit 820 Jupiter Court, Meteor Business Park

Cheltenham Road

Gloucester

GL2 9QW

Ph. + 44 01452 540130

Mob. + 44 07825 278394

<http://www.emmegi.co.uk>

jquigley@emmegi.co.uk

TURKEY

EMMEGI HEAT EXCHANGERS

Termal Sistemler Sanayi ve Ticaret Ltd.Şti

8229/2 Sok. No: 12 Odin iş merkezi

Çiğli- İzmir / Turkey

Ph. +90 530 3927636

Fax. +90 850 2244594

<http://www.emmegi-turkey.com>

kudret@emmegi-turkey.com

ASIA / PACIFIC

EMMEGI HEAT EXCHANGERS Ltd

Unit 17.9/ F.Corporation Park,

11 On Lai Street, Siu Lek Yuen,

Shatin, Hong Kong

Ph. + 852-26032487- Fax + 852-26032119

<http://www.emmegi-heat-exchangers.com>

emmegi@biznetvigator.com

GERMANY

EMMEGI GmbH

Philipp-Reis-Straße 2

41516 Grevenbroich-Kapellen

Ph. +49 02182-570 18-0

Fax +49 02182-570 18-29

vertrieb@emmegi-gmbh.de

<http://www.emmegi-gmbh.de>

SLOVAKIA

EMMEGI HEAT EXCHANGERS s.r.o.

Ul. M.Razusa 1

95514 Topolcany

Ph. + 421 385320739

Fax +421 385320742

<http://www.emmegi-heat-exchangers.com>

sro@emmegi-heat-exchangers.com

INDIA

EMMEGI India Private Limited

G-221, Sector 3, DSII DC Bawana

Delhi – 110039, INDIA

+91 11 27761242, 27762018

<http://www.emmegi-heat-exchangers.com>

anil@emmegi-heat-exchangers.com

ITALIA

EMMEGI S.p.A.

Via Newton,52 - Zona Industriale

20062 Cassano d'Adda (MI) - Italy

Tel. +39 0363 360236 - Fax + 39 0363 360230

<http://www.emmegi-heat-exchangers.com>

info@emmegi-heat-exchangers.com

