

Metering Pump for Polyurethane Production

Series QXP



- high-accuracy metering with very low pulsations, even at high pressures
- can be used with high and low viscosities and at variable speeds

1 Description

The QXP pumps are the 5th generation of Bucher internal gear pumps, which have proven themselves in thirty years of service around the world. Continuous improvement of its simple and robust design and further development of the manufacturing processes have made the pump lighter in weight and more compact in size without increasing stress to any of the individual parts. A new tooth profile, designed

with the help of CAE offers a significant reduction in noise levels. Large sealing areas result in higher efficiencies. The internal gear ring is supported by a hydrodynamic/ hydrostatic lubricating film, which allows operation at low viscosities or low and high speeds. QXP pumps are therefore suitable for use with variable speed drives, where they can provide variable deliveries.

2 Technical data

General characteristics	Unit	Description, Value
Installation attitude		unrestricted
Mounting method (standard)		oval 2-hole flange to ISO 3019/1 (SAE): QXP 3-6 oval 2-hole flange to ISO 3019/2 (metric) QXP 2+8
Direction of rotation		CW, CCW optional
Pump drive method		flexible shaft coupling magnet coupling (contact Bucher Hydraulics)
Volumetric efficiency rate η_v		approx. 95%
Fluids		Isocyanate Polyole Additive other fluids - contact Bucher Hydraulics

General characteristics	Unit	Description, Value
Viscosity range	mm ² /s (cSt)	10 ... 300* *for values from 3 ... 20'000 contact Bucher Hydraulics
Inlet pressure maximum minimum	bar	4,0 absolute (with PTFE- shaft seal only) 0.5 ... 0.95 absolute (depending on frame size, speed and viscosity)
Running up against pressure	bar	maximum 20 (for higher values contact Bucher Hydraulics)

IMPORTANT: The main characteristics are valid for fluids with 40 mm²/s.

2.1 Main characteristics for pressure range 1

Effective displacement ⁴⁾ [cm ³ /rev]	Max. Speed [rpm]	Type	Continuous pressure ¹⁾ [bar]	Torque ²⁾ [Nm]	Power requirement at rpm 1450 ³⁾ [KW]
10,3 12,6 15,9	1800	QXP21-010 QXP21-012 QXP21-016	100	26 25 25	2,7 3,3 3,9
20,0 25,2 31,1	1800	QXP31-020 QXP31-025 QXP31-032	100	51 50 50	5,2 6,5 7,5
40,6 50,2 64,5	1800	QXP41-040 QXP41-050 QXP41-063	100	104 100 103	10,5 13,0 15,6
78,3 100,6 126,7	1500	QXP51-080 QXP51-100 QXP51-125	100	200 201 203	20,2 25,9 30,8
159,7 201,1 248,4	1500	QXP61-160 QXP61-200 QXP61-250	100	409 402 397	41,1 51,7 63,9
323,9 400,1 495,4	1500	QXP81-315 QXP81-400 QXP81-500	100	830 801 793	83,3 102,9 127,4

1) Maximum pressure values apply for 20 - 100 mm²/s.

2) Theoretical value at max. permitted continuous pressure for mineral oil.

3) Theoretical value at max. Permitted continuous pressure calculated at 40 mm²/s.

4) Due to manufacturing tolerances, there may be slight variations in the displacement.

2.2 Main characteristics for pressure range 2

Effective displacement ⁴⁾ [cm ³ /rev]	Max. Speed [rpm]	Type	Continuous pressure. ¹⁾ [bar]	Torque ²⁾ [Nm]	Power requirement at rpm 1450 ³⁾ [KW]
3,2 4,2 5,1 6,3 7,9	1800	QXP22-003 QXP22-004 QXP22-005 QXP22-006 QXP22-008	210	10 13 17 21 27	1,9 2,3 2,6 3,2 4,0
10,0 12,6 15,6	1800	QXP32-010 QXP32-012 QXP32-016	210	34 42 52	5,1 6,4 7,9
20,3 25,1 32,3	1800	QXP42-020 QXP42-025 QXP42-032	210	68 84 108	10,4 12,7 16,5
39,1 50,3 63,4	1500	QXP52-040 QXP52-050 QXP52-063	210	132 170 213	19,9 25,7 32,3
79,8 100,5 124,2	1500	QXP62-080 QXP62-100 QXP62-125	210	268 338 417	40,7 51,2 63,4
161,9 200,0 247,7	1500	QXP82-160 QXP82-200 QXP82-250	210	544 672 833	82,7 102,1 126,5

2.3 Main characteristics for pressure range 3

Effective displacement ⁴⁾ [cm ³ /rev]	Max. Speed [rpm]	Type	Continuous pressure. ¹⁾ [bar]	Torque ²⁾ [Nm]	Power requirement at rpm 1450 ³⁾ [KW]
5,1 6,3 7,9	1800	QXP23-005 QXP23-006 QXP23-008	250	26 32 41	3,4 4,2 5,4
10,0 12,6 15,6	1800	QXP33-010 QXP33-012 QXP33-016	250	51 64 80	6,5 8,8 10,2
20,3 25,1 32,3	1800	QXP43-020 QXP43-025 QXP43-032	250	104 128 165	13,2 16,5 21,0
39,1 50,3 63,4	1500	QXP53-040 QXP53-050 QXP53-063	250	200 258 321	25,5 32,5 40,8
79,8 100,5 124,2	1500	QXP63-080 QXP63-100 QXP63-125	250	409 514 636	51,9 65,5 81,4
161,9 200,0 247,7	1500	QXP83-160 QXP83-200 QXP83-250	250	830 1025 1270	105,0 131,2 161,7

1) Maximum pressure values apply for 20 - 100 mm²/s.

2) Theoretical value at max. permitted continuous pressure for mineral oil.

3) Theoretical value at max. permitted continuous pressure calculated at 40 mm²/s.

4) Due to manufacturing tolerances, there may be slight variations in the displacement.

3 Dimensions

Frame size		2			3			4			5			6			8		
Pressure range		1	2	3	1	2	3	1	2	3	1	2	3	1	2	3	1	2	3
Pressure ports to SAE J518 ¹⁾	P	G1/2" ³⁾ 4) thread			G3/4" ³⁾ 4) thread			1"			1 1/4"			1 1/2"			2"		
Input port: to standard SAE J518 ¹⁾	S	G1" ³⁾ thread			G1 1/4" ³⁾ thread			1 1/2"			2"			2 1/2"			3"		
Mounting oval 2-hole flange to ISO 3019/1 (SAE) ISO3019/2 (metr.)	A	118			132			170			212			267			330		
	B (SAE)	-			106			146			181			229			-		
	B (Metr.)	100			109			140			180			224			280		
	C	9			11			14			18			22			26		
	N (SAE)	-			82,55 - 0,05			101,6 - 0,05			127 - 0,05			152,4 - 0,05			-		
	N (Metr.)	63 h8			80 h8			100 h8			125 h8			160 h8			200 h8		
	O	8,5			8,5			10,5			12,5			16,5			20		
	V	6			6			7			7			7			9		
4-hole flange ISO 3019/2	X (Metr.)	9			9			12			14			18			22		
	Y (Metr.)	85			103			125			160			200			250		
Shaft end parallel to ISO/R775 ²⁾	D	20 j6			25 j6			32 j6			40 j6			50 j6			63 j6		
	E	36			42			58			82			82			105		
	F	6			8			10			12			14			18		
	G	22,5			28			35			43			53,5			67		
	I	45			50			68			92			92			117		
Housing	K	37,5			44			52,5			60,5			74			90		
	L	136	117 ⁵⁾	153	164	144	189	202	176	232	242	210	280	288	248	338	361	331	426
	M	-	55 ⁵⁾	90	-	69,5	114	-	87	143	-	102	172	-	119	209	-	151	266
	T	85			107			133			177			214	220	220	273	275	275
	Z	50			60			62,5			78			97,5			125		
Weight	kg	5	5	6,5	10	9,6	12,2	19,6	17,2	22	33	31	41	64	57	78	130	120	160

1) For SAE J518 Code 61 or ISO 6162-1 pipe flange dimensions (see section 6).

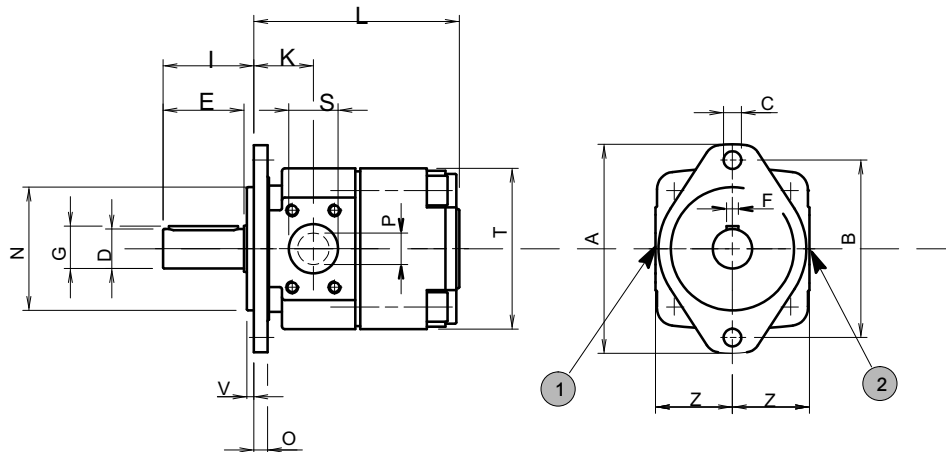
2) For other shaft ends contact Bucher Hydraulics.

3) Threaded port to DIN 3852, Part 2.

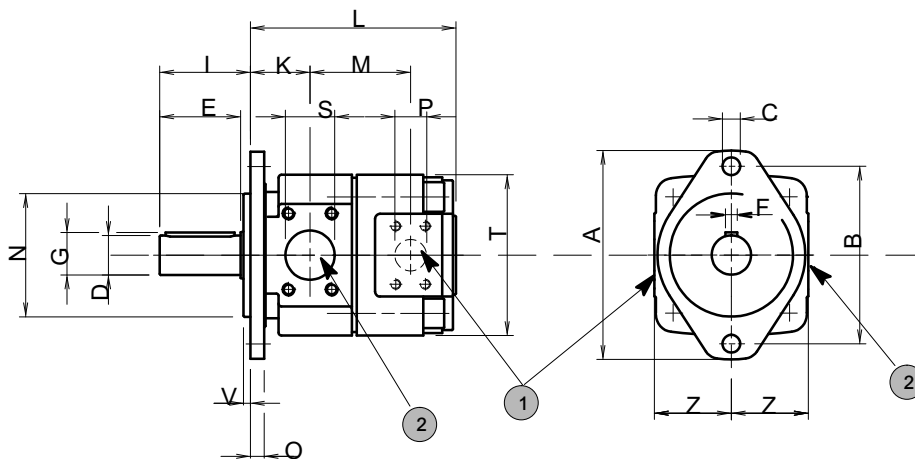
4) Pressure port to SAE J 518 code 61 or ISO 6162-1 can be supplied for pressure ranges 2+3.

5) At QXP22-003 and QXP22-004 : L = 113 ; M = 51.

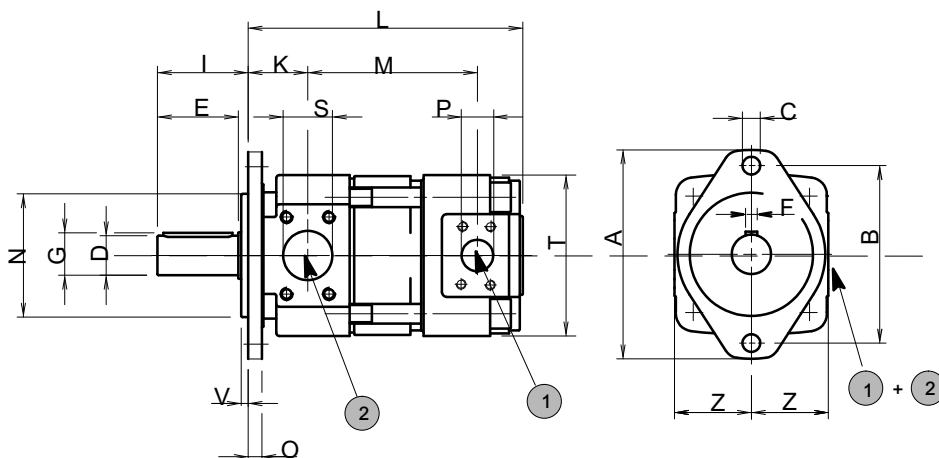
3.1 Pressure range 1



3.2 Pressure range 2



3.3 Pressure range 3



1	Pressure port P
2	Suction port S

4 Ordering code

			Q	X	P	4	1	-	0	4	0	R	*	*
Series	=	QXP												
Frame size	=	2 / 3 / 4 / 5 / 6 / 8												
Pressure range	=	1 / 2 / 3												
Displacement [cm ³ /rev]	=	003 - 500												
Rotation viewed from shaft end	CW = R (standard) CCW = L													
Option	see section 4.2													

Ordering example:

Required:	single pump
Displacement:	40cm ³ /rev
Continuous pressure: for use with polyol	100 bar
Ordering code:	QXP41-040R386

4.1 Standard configuration

- direction of rotation - right (CW)
- 2-hole mounting flange to ISO 3019/1 (SAE): sizes QXP 3-6
- 2-hole mounting flange to ISO 3019/2 (metr.): sizes QXP 2+8
- FPM (viton) seals
- parallel shaft end to ISO/R775

4.2 Options

358 = for components Polyole, Isocyanate und Additives
ports for liquid sealing arrangement, additional lubrication for plain bearings
PTFE shaft seal

390 = for Isocyanate
ports for liquid sealing arrangement
PTFE shaft seal

386 = for Polyole
additional lubrication for plain bearings
PTFE shaft seal

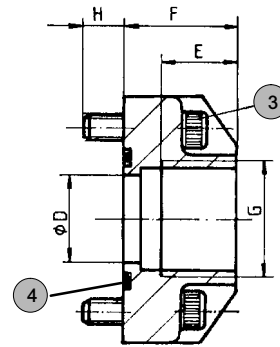
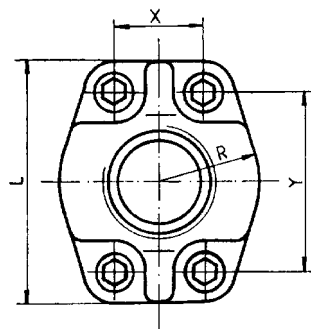
For other special features contact Bucher Hydraulics.

5 Note

This catalogue is intended for users with specialist knowledge. The user must check the suitability of the equipment described herein in order to ensure that all of the conditions necessary for the safety and proper functioning of the system are fulfilled. If you have any doubts or questions concerning the use of these pumps, please consult Bucher Hydraulics.

6 Accessories

6.1 Pipe flange - high pressure type for up to 420 bar - SAE JS18 Code 61



3	Retaining screws
4	O-ring

Threaded pipe flanges are spot-faced for DIN 2353 pipe fittings.

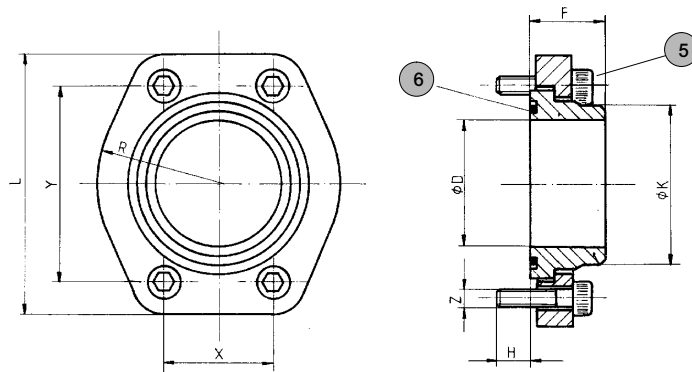
Material: ST37

For FPM (viton) seals contact Bucher Hydraulics.

Ordering-number	Ordering code	Size	DØ	E	F	H	L	R	X	Y	O-ring 90 Shore 'A'	Retaining screws DIN912-12.9 / Torque Nm	
037000	RF 01-R08	G 1/2"	12,5	16	27	13	54	23	17,5	38	20,24x2,62	M 8x30	30
037010	RF 02-R10	G 3/4"	20	18	30	12	65	26	22,2	47,6	26,65x2,62	M10x30	60
037020	RF 03-R11	G 1"	25	20	34	13	70	29	26,2	52,4	32,99x2,62	M10x35	60
037030	RF 04-R12	G 1 1/4"	32	22	38	14	80	36	30,2	58,6	40,86x3,53	M10x40	60
037040	RF 05-R13	G 1 1/2"	38	24	41	19	94	41	35,7	70	44,04x3,53	M12x45	120
037050	RF 06-R14	G 2"	50	26	45	20	102	48	42,9	77,8	59,92x3,53	M12x50	120
055470*	RF 07-R16	G 2 1/2" *	63	30	50	18	114	57	50,8	89	72,62x3,53	M12x45	120

* RF07 for 210 bar be only!

6.2 Low pressure type for up to 16 bar - SAE JS18 Code 61



5	Retaining screws
6	O-Ring

Material: ST37
For FPM (viton) seals contact Bucher Hydraulics.

Ordering number	Ordering code	SAE flange Size	D	K	F	H	L	R	X	Y	O-ring 90 Shore 'A'	Retaining screws DIN 912-8.8 Torque Nm		pipe 1) O/di- a.ap- prox.
062450	RF 07-S	2 1/2"	63	75	35	14	120	57	51	89	69,44x3,53	M12 x 30	70	75
063880	RN 08-S	3"	76	88			140,5	68	62	106,5	85,32x3,53	M16 x 40	180	88
063890	RN 09-S	3 1/2"	89	100	40	19	158,5	73	70	120,3	98,02x3,53	M16 x 40	180	100
063900	RN 10-S	4"	103	115			168	79	78	130	110,72x3,53	M16 x 40	180	115

1) We recommend the use of seamless precision steel tube to DIN 2391 with wallthick. max 6 mm

info.kl@bucherhydraulics.com

www.bucherhydraulics.com

© 2018 by Bucher Hydraulics GmbH, D-79771 Klettgau

All rights reserved.

Data is provided for the purpose of product description only, and must not be construed as warranted characteristics in the legal sense. The information does not relieve users from the duty of conducting their own evaluations and tests. Because the products are subject to continual improvement, we reserve the right to amend the product specifications contained in this catalogue.

Classification: 410.100.