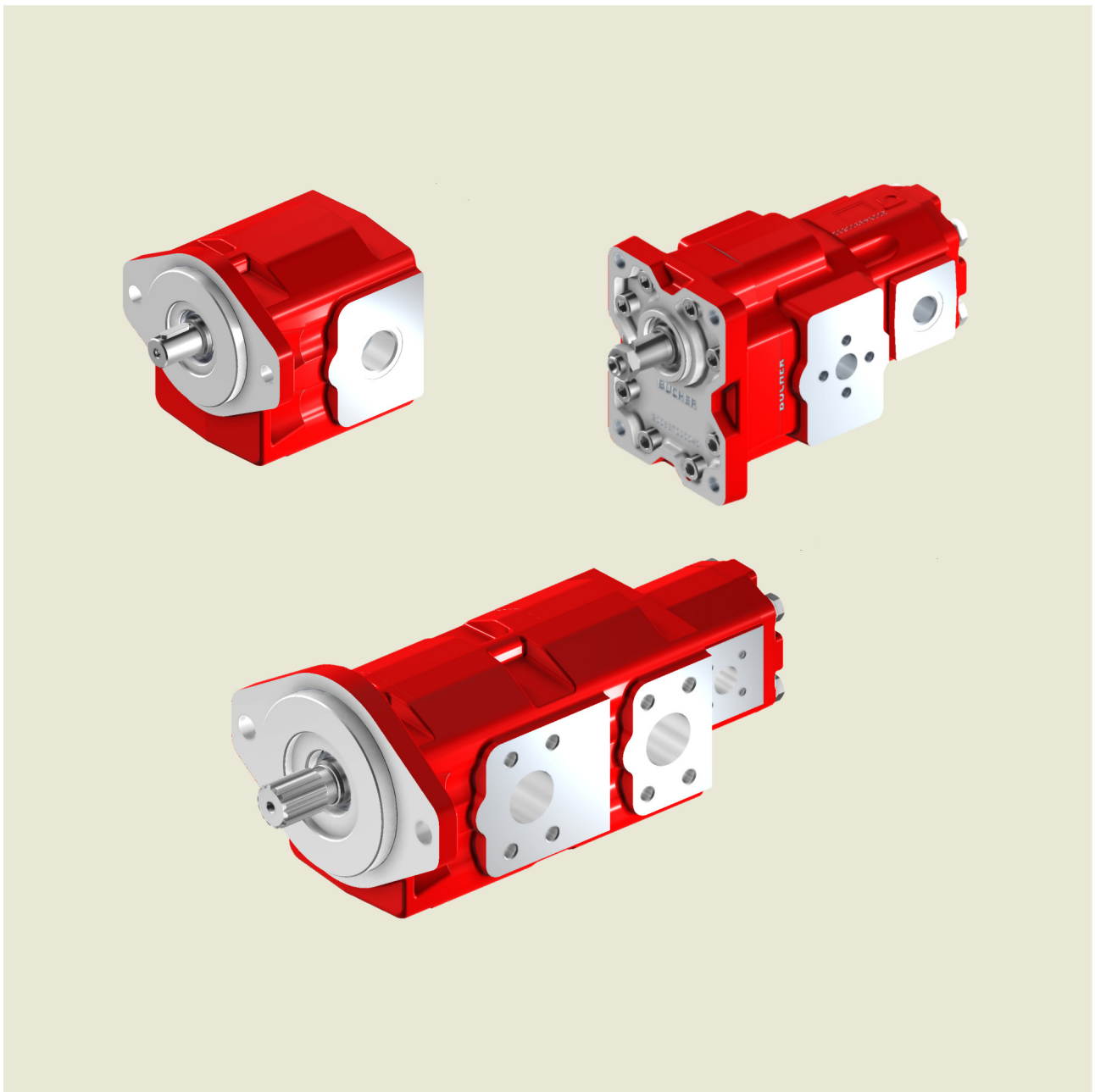


AP312HP Gear Pumps

Single and multiple cast iron gear pumps



Contents

Page

1	General information	3
1.1	External gear pumps components and construction / benefits	4
1.2	Technical data	5
1.3	Pressure	6
1.4	Suction	6
1.5	General precaution	6
1.6	Identifying the rotation direction	7
1.7	Formulas to determinate main gear pump operate parameters	8
2	Overview standard pump configurations	8
2.1	Standard components configuration	9
3	AP312HP Single pump customised versions	22
3.1	Single pump customised versions order example	23
3.2	Shaft end code	24
3.3	Front cover/mounting flange	26
3.4	Single pump dimensions	29
4	Multiple gear pumps	32
4.1	Multiple gear pumps: AP312HP+AP312HP standard cast iron versions	32
4.2	Multiple gear pumps: AP312HP+AP212HP standard cast iron versions	35
4.3	Multiple gear pumps: AP312HP+AP212 cast iron + aluminium versions	39
4.4	Multiple gear pumps: AP312HP+AP312HP+AP212HP cast iron versions	43
4.5	Multiple gear pumps: AP312HP+AP312HP+AP212 cast iron + aluminium versions	47
5	Product identification plate	51
6	Application form	52

1 General information

The product range of Bucher Hydraulics SpA includes single pumps 05-100-212-212HP-250HP-300-312HP (corresponding with the common group denominations: 05-1-2-2.5-3) and several combinations of double pumps, triple pumps, and so on, that can be assembled together according to versions of displacement, flanging, and auxiliary valves .

Bucher Hydraulics SpA has supplied a wide range of external gear pumps and motors to industrial and mobile applications since many years.

Bucher's external gear pumps are widely used in modern hydraulic system to obtain high performances, long life service and low purchase and maintenance costs.

Thanks to the positive field experiences recorded on the group 2 (AP212HP) and group 2.5 (AP250HP) cast iron pump and motor series, Bucher Hydraulics has completed its product range introducing the new AP312HP cast iron pump group 3. The new pump has been developed with modern and robust design concepts.

Strong "2 pieces" structure, big shafts diameter as well as high quality materials, allows to the AP312HP to reach very high quality and performance levels, in order to fulfill the most innovative types of machines and applications.

Bucher designed this new pump with support bearings mounted in the cast iron body and covers.

Tandem and triple pumps are also available with direct connections between the shafts.

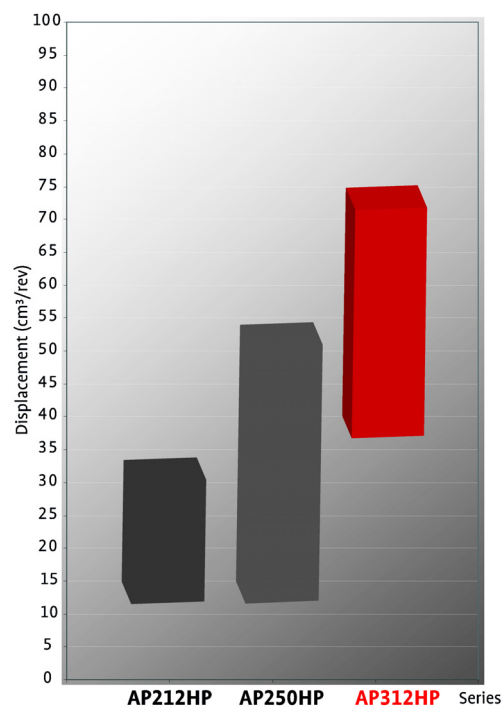
AP312HP is specifically developed for wheel loaders, excavators and telehandlers applications.

Bucher Hydraulics has so achieved this state of the art by constantly improving its design, control and manufacturing techniques aligned with the latest technological developments, while simultaneously enhancing its Quality System ensuring that every single product offers the same high standards.

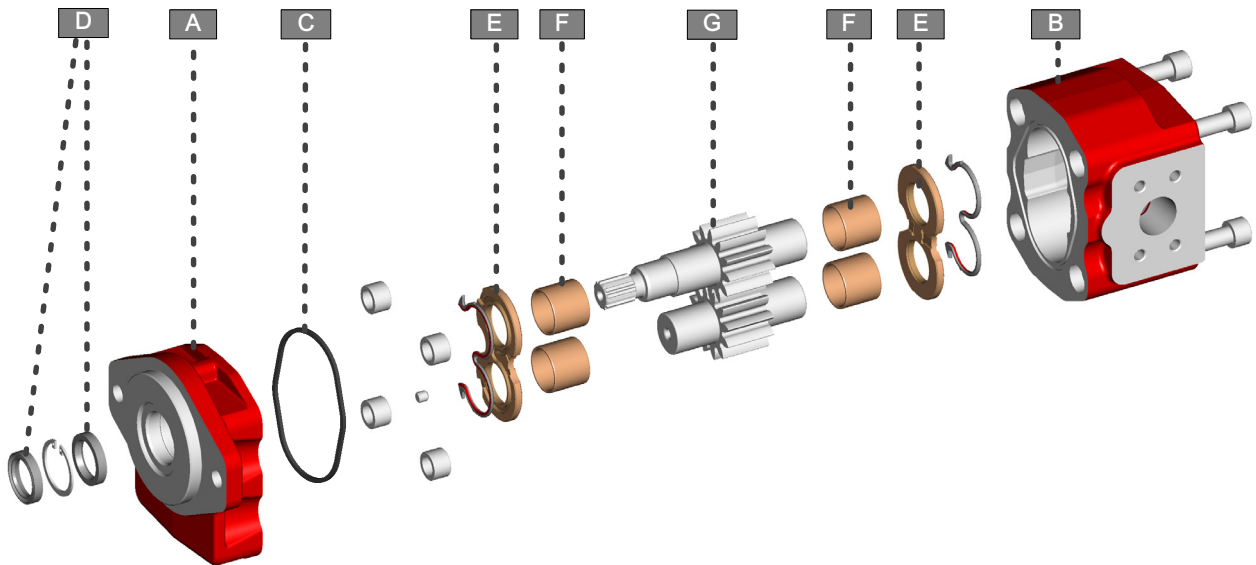
Main applications and benefits



- Robust design in compact dimensions
- Teeth design optimisation oriented to reduce pressure pulsation
- Reduced noise and vibration
- Reduced number of components - reduced weight
- Double shaft seals - More shaft protection and long life without external leakage
- HNBR seals
- Wide fluid temperature range admitted
- High volumetric and mechanical efficiencies
- Single or multistage possible configurations
- Strong splined shaft multistage connections
- AP212 aluminium / AP212HP cast iron rear interface
- Bucher validation method: long life expectancy



1.1 External gear pumps components and construction / benefits



A

Cast iron front cover: the standard front-cover design can be fitted to two different pump interfaces

B

Cast iron main pump body: wide range of displacements obtainable with two different basic bodies both with back cover integrated. Rear ports on request.

C

HNBR seal material instead of NBR

D

Double HNBR shaft seals

E

Strong pressure-balance plate instead of aluminium.
Balancing area and intermediate notches optimised

F

Large-diameter bearings, fitted both in front cover and body

G

Large number of teeth, tooth profile optimised, larger shaft diameter

BENEFITS



A B Flexibility/smaller number of components

A B D Reduced risk of external leakage

A B E High efficiencies/pressure limits

A B E Long life expectancy

C D Wider temperature range

E G Lower pressure ripple

E G Noise/vibration reduction

E F G Higher load capacity and transmissible torque

E F G Low friction and high mechanical efficiency

E F G Higher max. pressure limit

The front mounting flange and the body/backcover are made of high-strength cast iron to give thermal stability, resistance to contamination and the strength necessary for persistently high levels of performance and life, needed in demanding heavy duty applications. Body/back cover integrated, larger shaft diameter, large-diameter bearing and bronze trust plate have been optimized to provide heavy

duty, high pressure limits, high efficiencies and long life expectancy.

Noise and vibration reduction due to the large number of teeth.

The bearings are located in the front mounting flange, in the body/back cover and, for multiple pumps, in the body pumps.

1.2 Technical data

Features	
Operating fluid temperature range (mineral oil):	NBR HNBR FPM (VITON)
	-15 / +80 °C (peak: -20 / +90 °C) -20 / +90 °C (peak: -30 / +110 °C) -5 / +100 °C (peak: -10 / +110 °C)
Recommended fluids	hydraulic mineral oil-based
Viscosity range:	Recommended Permitted Permitted for starting
	20-120 mm ² /s (cSt) up to 700 mm ² /s (cSt) 2000 mm ² /s (cSt)
Cleanliness:	recommended for operating pressure > 170 bar recommended for operating pressure < 170 bar
	21/18/15 ISO 4406 22/19/16 ISO 4406
Standard seals material (valves not included)	NBR + HNBR standard (ISO1629)

Extreme working limit values can not be combined

Type	Displacement		Pressure				Min speed rpm	Max speed** rpm
	cm ³ /rev	Cu.In.P.R.	P1		P3			
			bar	P.S.I.	bar	P.S.I.		
40	40.2	2.45	300	4300	320	4600	500	3000
45	45	2.75	300	4300	320	4600	500	3000
54	54.4	3.32	290	4100	310	4400	500	3000
63	63.1	3.85	280	4000	300	4300	500	2500
75	75.3	4.60	240	3400	260	3700	500	2000

** : The max admitted speed is referred to single pump/single inlet configuration. In case of multiple pumps with common suction line, a speed reduction must be considered.



IMPORTANT!: The pressure values are referred to unidirectional pumps, single versions only.

Please consult Bucher Hydraulics if even one of the operating limits indicated in the table (temperature, pressure, rpm) is exceeded, as well as in the case of two or more maximum values at the same time, or for applications with particularly heavy-duty cycles

1.3 Pressure

Pressure levels:

P1 = continuous pressure

P3 = peak pressure

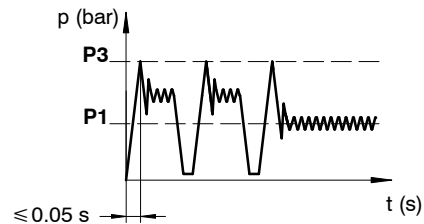
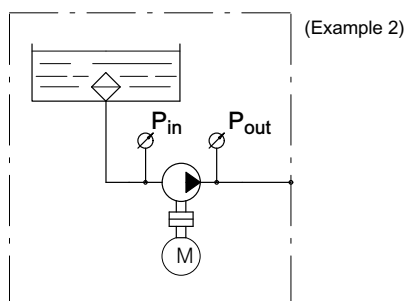
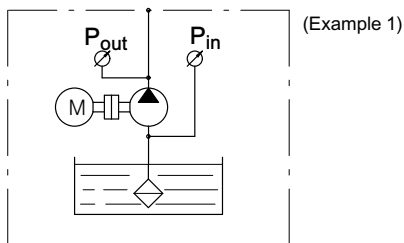
The recommended oil speed in the pressure pipes is:

$$v = 2 \text{ to } 5 \text{ m/s}$$

1.4 Suction

The absolute suction pressure must be $P_{in} \geq 0.75 \text{ bar}$ (11 PSI); therefore, the following must be avoided:

- large height differences between pump and tank
- long stretches of piping
- special features such as:
 - bends
 - reductions in diameter
 - quick couplings
 - etc.



It is also advisable to choose a filter of a suitable size to minimise any pressure drop and to take measures to prevent gradual clogging over time.

1.5 General precaution

In addition to the recommendations regarding fluids, filtration, coupling, etc., we suggest the following:

- Always check the rotation direction of the pump's drive shaft; it must be compatible with the rotation direction of the pump itself.
- Be particularly careful in cleaning and make sure, when connecting the suction and pressure piping, that no chips, rag threads, teflon tape, etc. get into the pump circulation system.
- Check the tightness of the suction and pressure fittings, the correct positioning of the O-Ring, and make sure there is no dirt between the flange and the pump body.
- The first pump start-up can be facilitated by manually filling the suction piping and the pump itself with oil. To facilitate air bleeding, start the pump with the circuit not pressurised.

- To ensure the best heat distribution inside the tank, make sure the return pipe is not too close to the pump's suction piping. The pipings themselves should be below oil tank level to prevent the formation of foam.
- Do not subject the pumps to operating conditions different from those indicated on section 1.2 ; for extreme operations, always contact our Sales Department.
- In the event of pump painting, do not use solvents or paints that are incompatible with the material of the seals. Do not bake paint with excessively high temperatures. Do not paint over the product identification plate.

1.5.1 Hydraulic fluid

The main function of the fluid used in hydraulic systems is to transfer energy but it performs also other important functions: protect the components from corrosion, lubricate the pump moving parts, remove particles and heat from the system.

In order to ensure proper operation and long life of the system it is important to choose the correct hydraulic fluid with proper additives.

Bucher Hydraulics recommends to use a mineral based oil responding to ISO 6743/4 requirements, only.

The system should be operated only with hydraulic oil containing anti-foaming and antioxidant additives. Before using other types of fluid, please contact our Sales Dept, since they can cause serious damage to the directional valve components and jeopardize the correct function of the system.

Never use fluids different from those indicated in section 1.2 and do not use fluids incompatible with the pump seals (i.e. HNBR)

1.5.2 Filtration

In order to ensure proper operation and long life of the pump components it is extremely important to provide a proper and effective filtration of the hydraulic fluid.

It is advisable to follow filter manufacturers instruction and recommendations.

The fineness of the filter should be selected in order to guarantee that a contamination levels indicated on section 1.2. When the high reliability of the system is an important requirement, a pressure filter must be used. In these cases it is also advisable to use a pressure filter with by-pass and indicator.

The size of the return filters must suit the maximum return

flow whereas the size of the pressure filters must suit the maximum pump flow.

It is advisable to fit filters with pressure gauge or dirt indicator in order to make it possible to verify the filter condition. Particular attention has to be paid to the cleaning of the machine hydraulic circuit and its components before the first run-in, since the presence of foreign materials could cause damages even if a proper filtration is provided.

In order to obtain the best performance of the system we recommend to strictly follow the conditions advised here above, failing which warranty shall be void.

1.5.3 Directives and standards

Atex



Attention: The equipment and protective systems of this catalogue ARE NOT intended for use in potentially explosive atmospheres. Ref: Directive 99/92/EC and Directive 2014/34/EU.

- ISO 9001: 2015 / ISO 14001:2015

Bucher Hydraulics S.p.A. is certified for research, development and production of directional control valves, gear pumps and motors, power units, electro pumps, cartridge valves and integrated manifolds for hydraulic applications.

1.6 Identifying the rotation direction

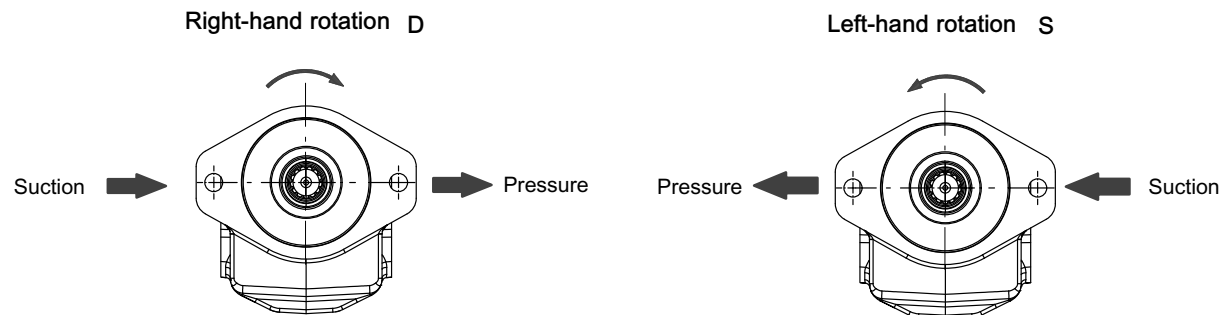
The rotation direction of a gear pump is identified by looking at the pump from the front and with the drive gear turned upwards (see figures below).

Pumps with clockwise rotation (D) have a drive gear which turns clockwise, with the suction port on the left and the pressure port on the right.

Pumps with counterclockwise rotation (S) have a drive gear which turns counterclockwise, with the suction port on the

right and the pressure port on the left. The figure also shows the pressure flow inside the pumps as the oil is transferred from the suction port to the pressure port.

Pumps with a unidirectional rotation (D or S) have the denomination AP.



1.7 Formulas to determinate main gear pump operate parameters

The following parameters are defined:

V_c = (cm³/rev) pump displacement;

n = (rev/min) no. of rpms of the drive shaft;

Q = (l/min) flow rate;

p = (bar) operating pressure;

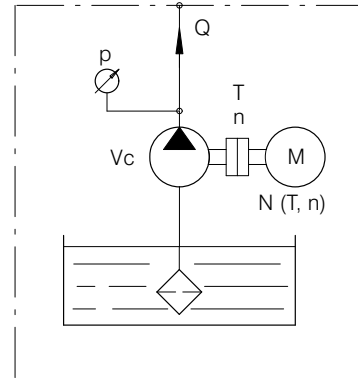
T = (Nm) drive torque;

N = (kW) Absorbed power;

η_v = (%) volumetric efficiency;

η_m = (%) mechanical efficiency;

η_t = (%) total efficiency



$$Q = \frac{V_c \cdot n}{100000} \cdot \eta_v \quad T = 1.59 \cdot \frac{p \cdot V_c}{\eta_m} \quad N = \frac{Q \cdot p}{6 \cdot \eta_t}$$

Example

AP312HP/15 $V_c = 40 \text{ cm}^3/\text{r}$ $n = 1500 \text{ r/min}$ $p = 200 \text{ bar}$ $\eta_v = 94\%$ $\eta_m = 90\%$ $\eta_t = 84.6\%$

$$Q = \frac{40 \cdot 1500}{100000} \cdot 94 = 56.4 \text{ l/min.}$$

$$T = 1.59 \cdot \frac{200 \cdot 40}{90} = 141.3 \text{ Nm}$$

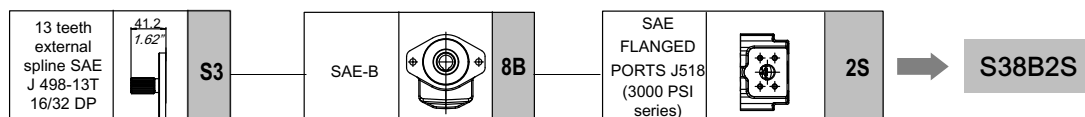
$$N = \frac{56.4 \cdot 200}{6 \cdot 84.6} = 22.22 \text{ kW}$$

2 Overview standard pump configurations

This pumps configuration are considered as "standard".

13 teeth	S38B2S	S38B8G	S38B8S
15 teeth	S58B2S	S58B8G	S58B8S
14 teeth	S48C2S	S48C8G	S48C8S
Straight keyed $\varnothing 25.4 \text{ mm}$	C18B2S	C18B8G	C18B8S
Straight keyed $\varnothing 22.225 \text{ mm}$	C28B2S	C28B8G	C28B8S
Tapered 1:8	C81P2P	C81P8G	

Example

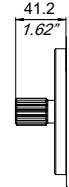
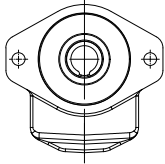
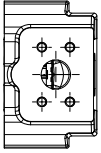
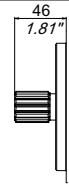
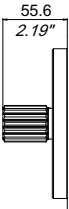
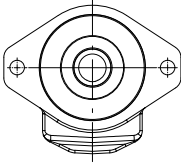
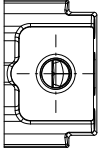
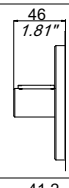
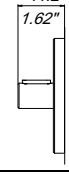
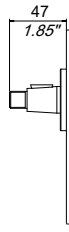
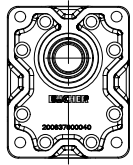
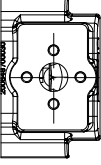
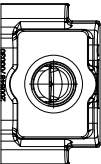


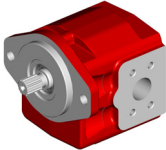
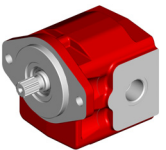
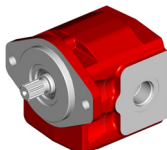
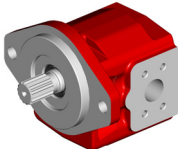
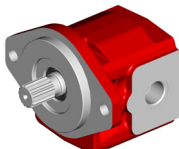
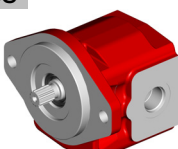
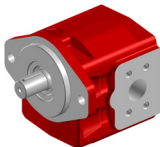
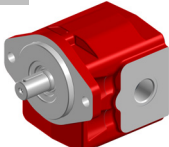
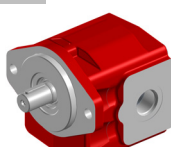
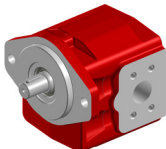
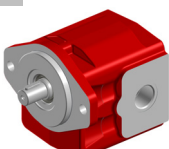
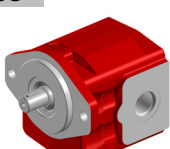
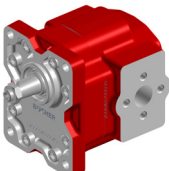
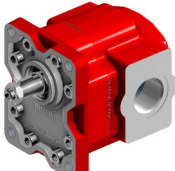
In the next pages, front, body/rear cover, and seals materials are listed for each pump series.

For ordering purposes, it is enough to outline the complete pump description (for example: AP312HP/40 S38B2S).

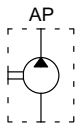
In case of a different configuration request (or a combination of different features, such as port threads, front flange materials, etc.), the description configurator shown in section 3.1 can be easily used.

2.1 Standard components configuration

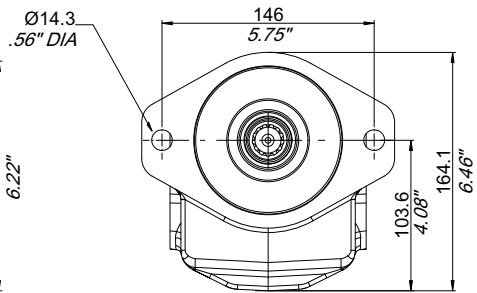
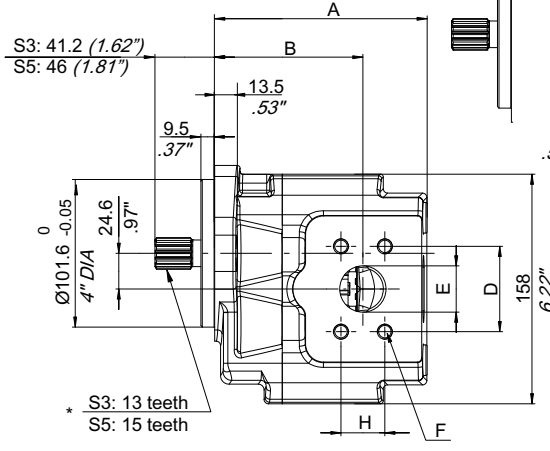
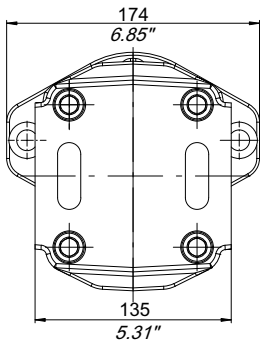
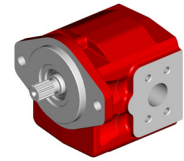
Drive shaft			Cast iron flange			Cast iron body/back cover Port type		
13 teeth external spline SAE J 498-13T 16/32 DP T _{max} = 270 Nm		S3	SAE-B		8B	SAE FLANGED PORTS J518 (3000 PSI series)		2S
15 teeth external spline SAE J 498-15T 16/32 DP T _{max} = 460 Nm		S5						
14 teeth external spline SAE J 498-14T 12/24 DP T _{max} = 950 Nm		S4	SAE-C		8C	BSP Ports		8G
Straight keyed Ø 25.4 mm		C1						
Straight keyed Ø 22.225 mm		C2						
Tapered 1:8		C8	European rectangular		1P	European 4 bolts flanged		2P
						BSP Ports		8G

Serie	page	Serie	page	Serie	page
S38B2S-S58B2S 	11	S38B8G-S58B8G 	12	S38B8S-S58B8S 	13
S48C2S 	14	S48C8G 	15	S48C8S 	16
C18B2S 	17	C18B8G 	18	C18B8S 	19
C28B2S 	17	C28B8G 	18	C28B8S 	19
C81P2P 	20	C81P8G 	21		

Unpainted pumps are Bucher Hydraulics standard; should a painted component be required, this feature must be specified in its purchase order.

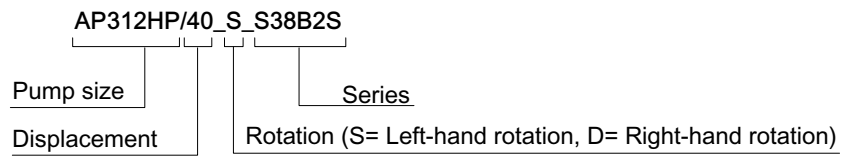


S38B2S
S58B2S

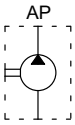


Type	A		B		Suction							Pressure													
	mm	inch	mm	inch	H		D		E		F	H		D		E		F							
					mm	inch	mm	inch	mm	inch	mm	mm	inch	mm	inch	mm	inch	mm							
40	132	5.20	87.8	3.46	30.17	1.19	58.72	2.31	31.8	1.25	M10x 1.5														
45	135	5.31	90.8	3.57	35.71	1.40	69.85	2.75	38.1	1.5	M12x 1.75	26.19	1.03	52.37	2.06	25.4	1	M10x 1.5							
54	140.8	5.54	96.6	3.80																					
63	146.2	5.76	102	4.02																					
75	153.8	6.06	109.6	4.31																					
																				30.17	1.19	58.72	2.31	31.8	1.25

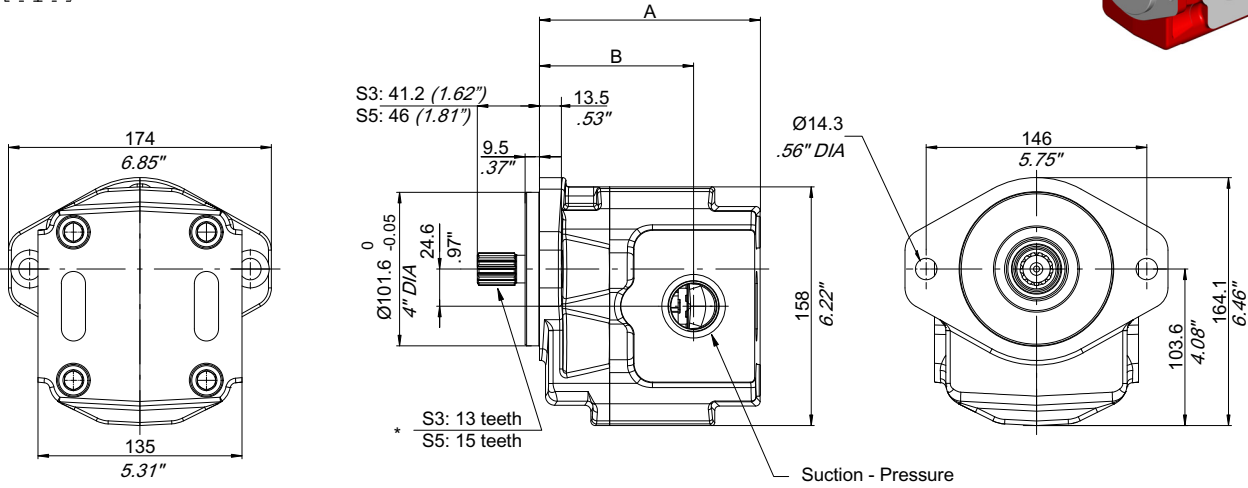
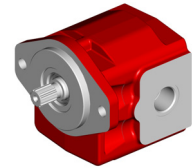
Pump description example:



* For S3- S5 dimensions see 3.2

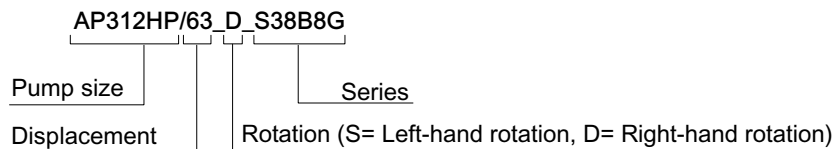


S38B8G
S58B8G

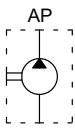


Type	A		B		Suction BSPP	Pressure BSPP
	mm	inch	mm	inch		
40	132	5.20	87.8	3.46	1 1/4" BSP	1" BSP
45	135	5.31	90.8	3.57		
54	140.8	5.54	96.6	3.80		
63	146.2	5.76	102	4.02		
75	153.8	6.06	109.6	4.31		

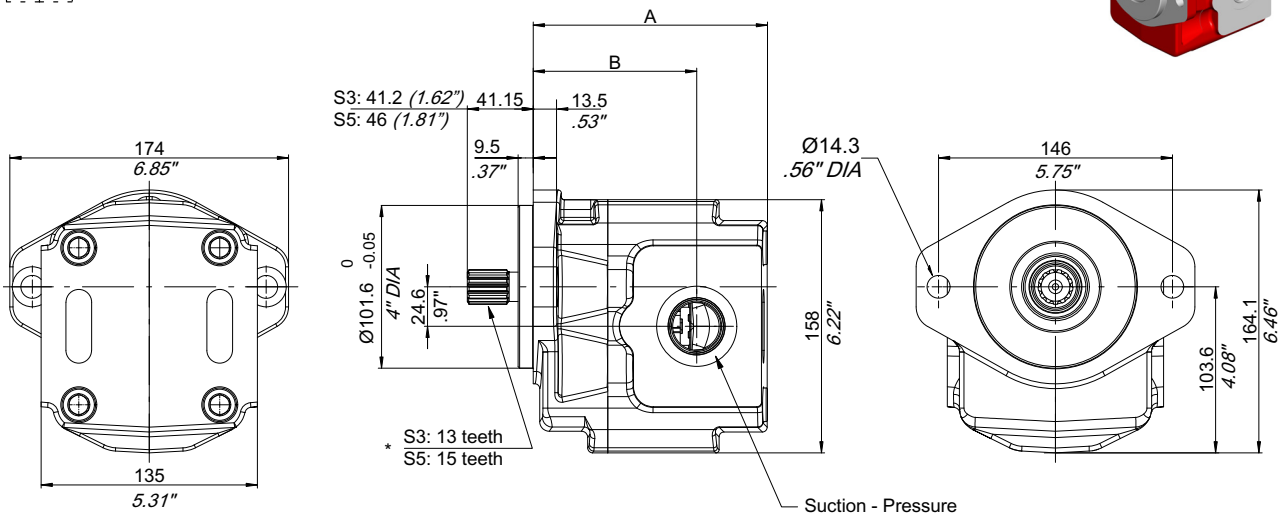
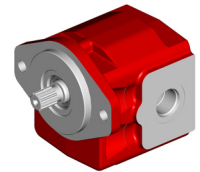
Pump description example:



* For S3- S5 dimensions see 3.2

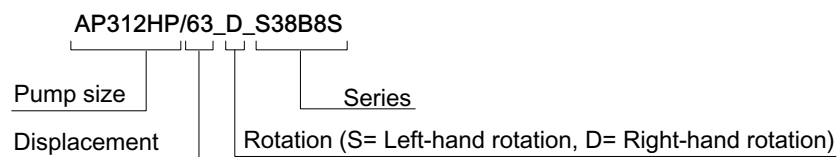


S38B8S
S58B8S

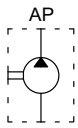


Type	A		B		Suction UNF	Pressure UNF
	mm	inch	mm	inch		
40	132	5.20	87.8	3.46	1 5/8" - 12 UNF-2B (SAE20)	1 5/16" - 12 UNF-2B (SAE16)
45	135	5.31	90.8	3.57		
54	140.8	5.54	96.6	3.80		
63	146.2	5.76	102	4.02		
75	153.8	6.06	109.6	4.31		

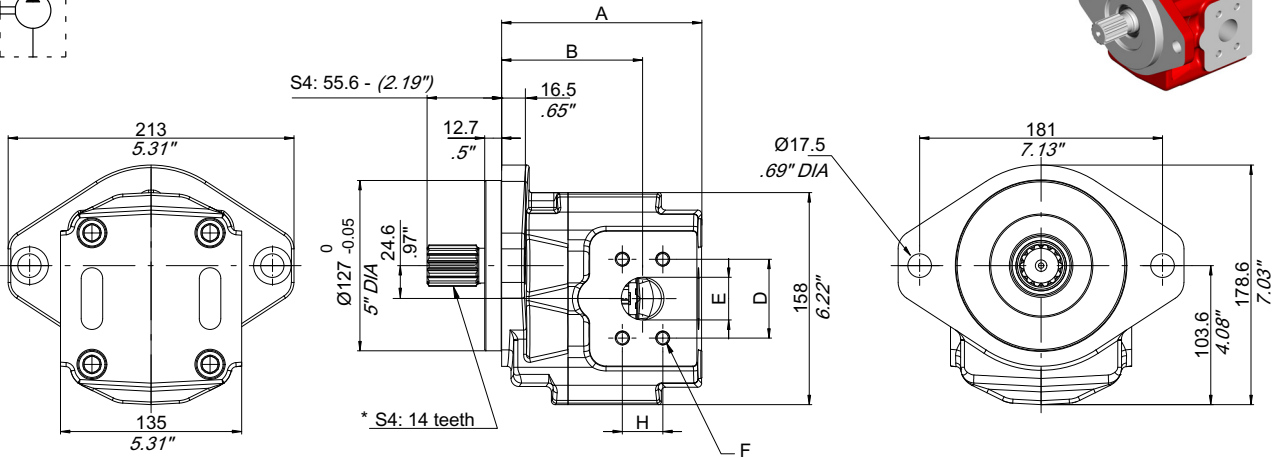
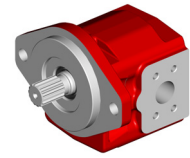
Pump description example:



* For S3- S5 dimensions see 3.2

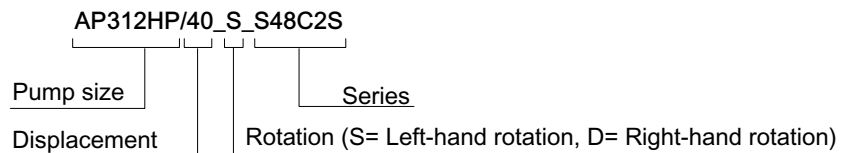


S48C2S

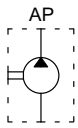


Type	A		B		Suction						Pressure														
	mm	inch	mm	inch	H		D		E		F	H		D		E		F							
					mm	inch	mm	inch	mm	inch	mm	mm	inch	mm	inch	mm	inch	mm							
40	135	5.31	90.8	3.57	30.17	1.19	58.72	2.31	31.8	1.25	M10x 1.5														
45	138	5.43	93.8	3.69	35.71	1.40	69.85	2.75	38.1	1.5	M12x 1.75	26.19	1.03	52.37	2.06	25.4	1	M10x 1.5							
54	143.8	5.66	99.6	3.92																					
63	149.2	5.87	105	4.13																30.17	1.19	58.72	2.31	31.8	1.25
75	156.8	6.17	112.6	4.43																					

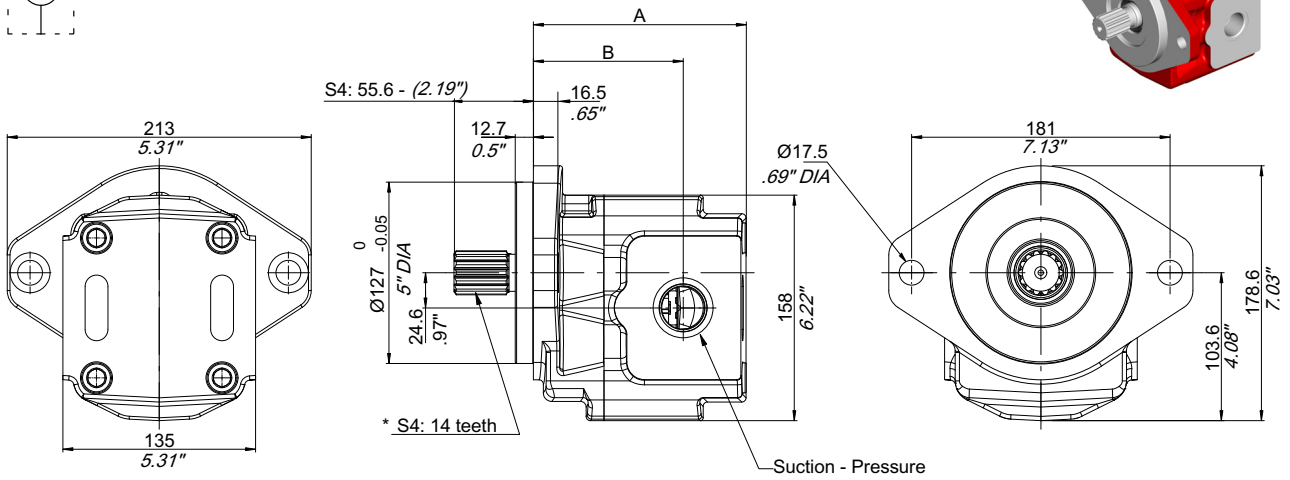
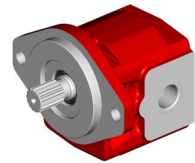
Pump description example:



* For S4 dimensions see 3.2

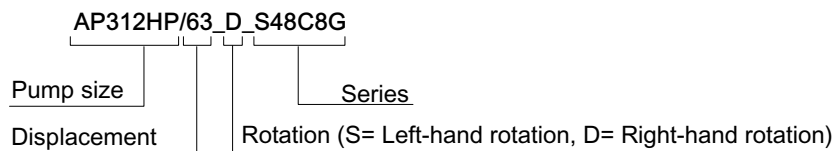


S48C8G

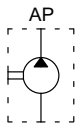


Type	A		B		Suction BSPP	Pressure BSPP
	mm	inch	mm	inch		
40	135	5.31	90.8	3.57	1 1/4" BSP	1" BSP
45	138	5.43	93.8	3.69		
54	143.8	5.66	99.6	3.92		
63	149.2	5.87	105	4.13		
75	156.8	6.17	112.6	4.43		

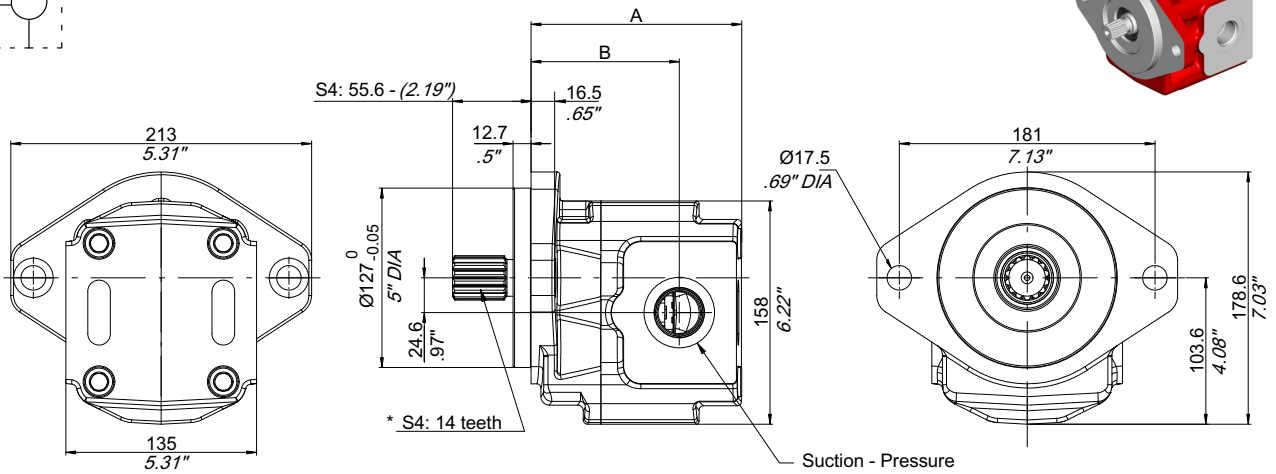
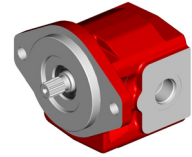
Pump description example:



For S4 dimensions see 3.2

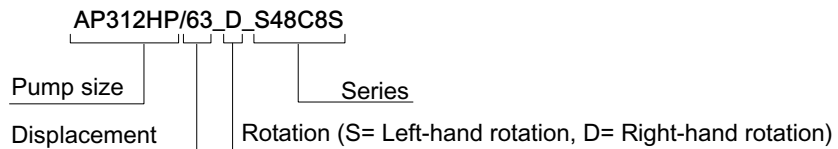


S48C8S

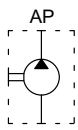


Type	A		B		Suction UNF	Pressure UNF
	mm	inch	mm	inch		
40	135	5.31	90.8	3.57	1 5/8" - 12 UNF-2B (SAE20)	1 5/16" - 12 UNF-2B (SAE16)
45	138	5.43	93.8	3.69		
54	143.8	5.66	99.6	3.92		
63	149.2	5.87	105	4.13		
75	156.8	6.17	112.6	4.43		

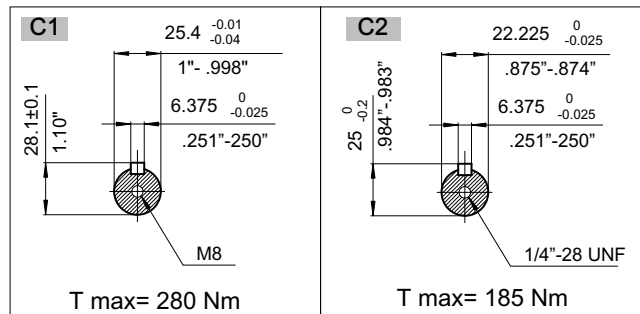
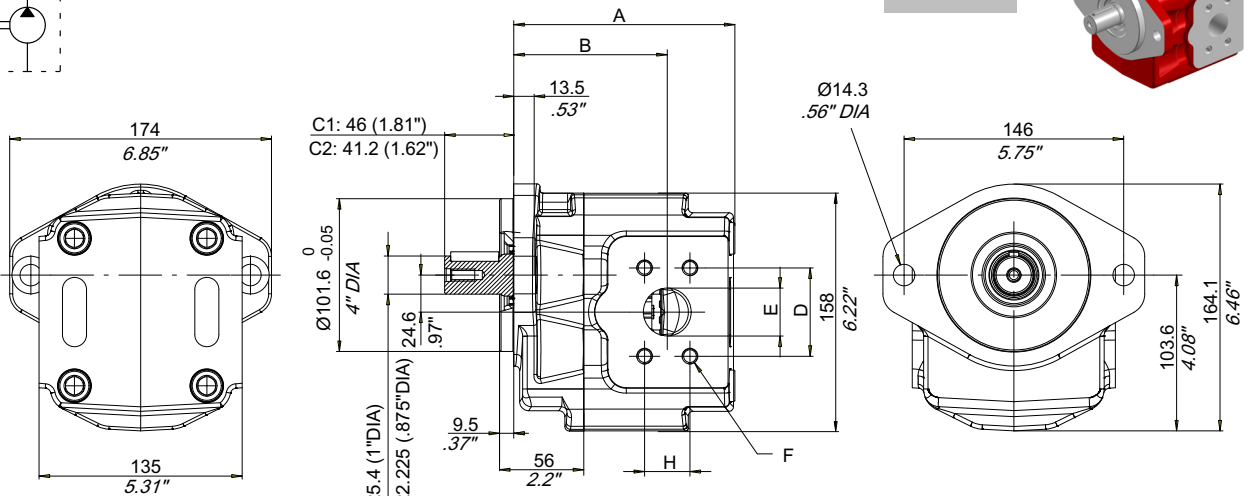
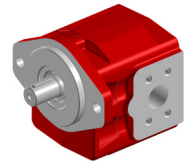
Pump description example:



For S4 dimensions see 3.2

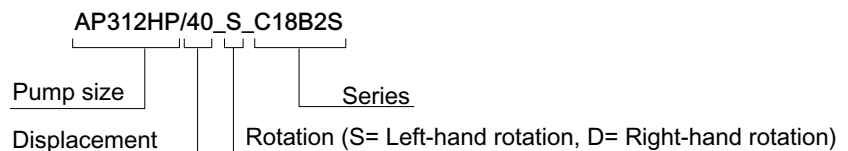


C18B2S
C28B2S

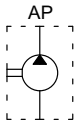


Type	A		B		Suction						Pressure							
	mm	inch	mm	inch	H		D		E		F	H		D		E		F
					mm	inch	mm	inch	mm	inch	mm	mm	inch	mm	inch	mm	inch	mm
40	132	5.20	87.8	3.46	30.17	1.19	58.72	2.31	31.8	1.25	M10x 1.5							
45	135	5.31	90.8	3.57								26.19	1.03	52.37	2.06	25.4	1	
54	140.8	5.54	96.6	3.80														M10x 1.5
63	146.2	5.76	102	4.02	35.71	1.40	69.85	2.75	38.1	1.5	M12x 1.75							
75	153.8	6.06	109.6	4.31								30.17	1.19	58.72	2.31	31.8	1.25	

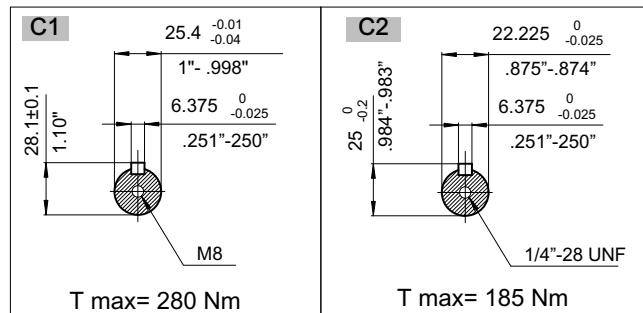
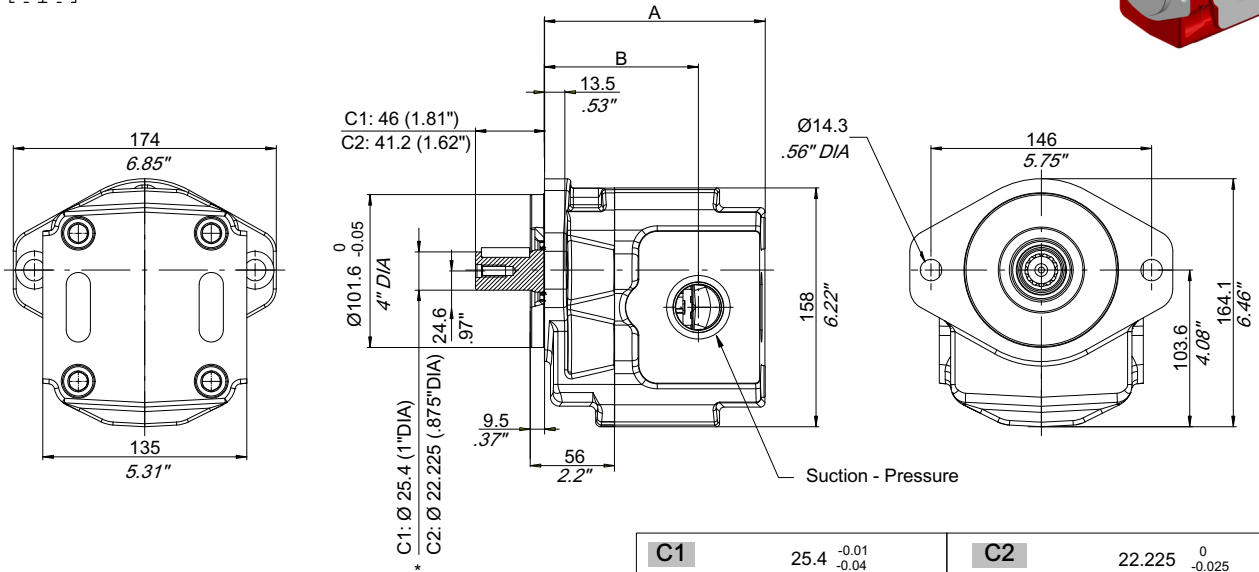
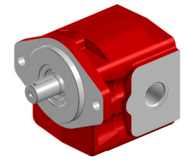
Pump description example:



* For C1- C2 dimensions see 3.2

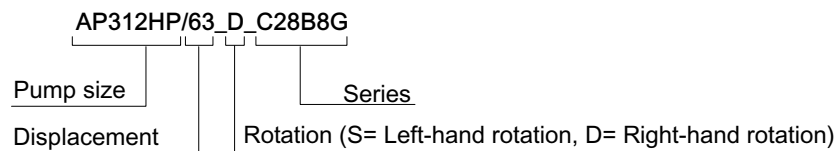


C18B8G
C28B8G

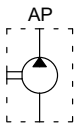


Type	A		B		Suction BSPP	Pressure BSPP
	mm	inch	mm	inch		
40	132	5.20	87.8	3.46	1 1/4" BSP	1" BSP
45	135	5.31	90.8	3.57		
54	140.8	5.54	96.6	3.80		
63	146.2	5.76	102	4.02		
75	153.8	6.06	109.6	4.31		

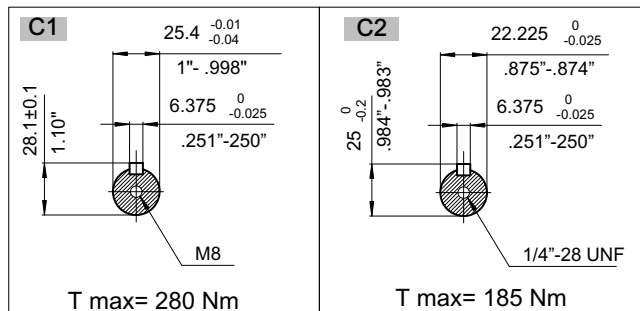
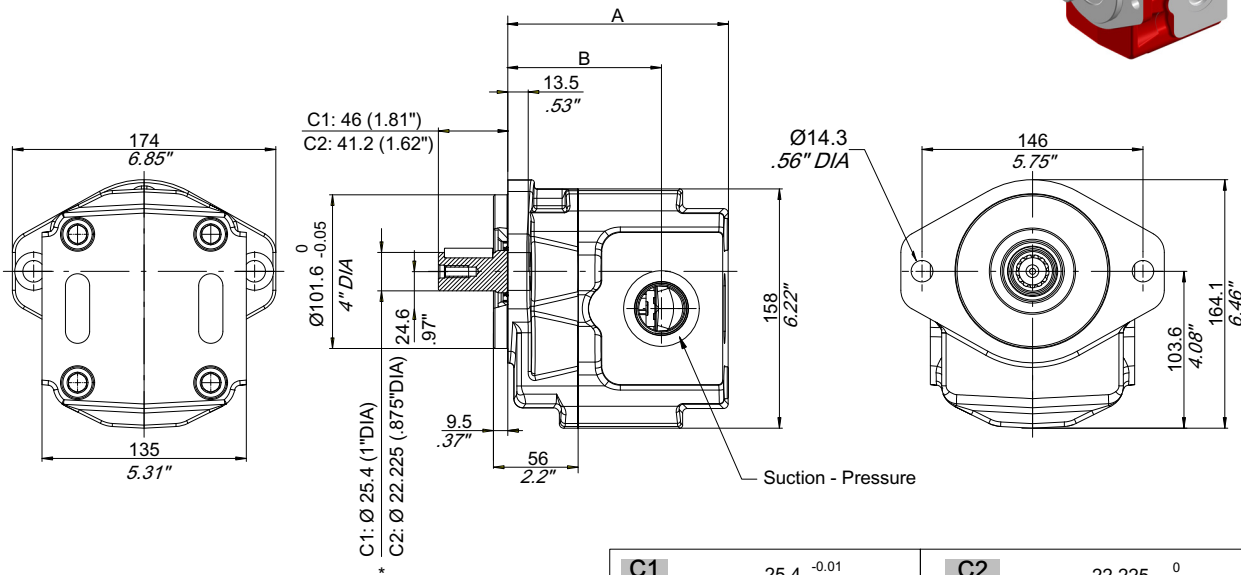
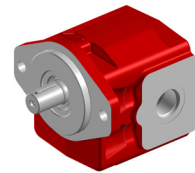
Pump description example:



* For C1- C2 dimensions see 3.2

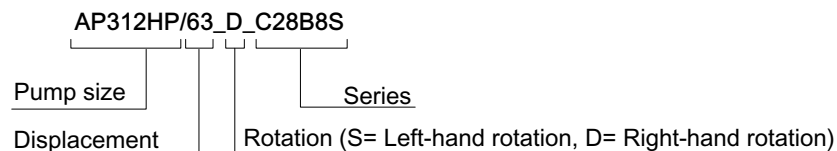


C18B8S
C28B8S

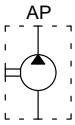


Type	A		B		Suction UNF	Pressure UNF
	mm	inch	mm	inch		
40	132	5.20	87.8	3.46	1 5/8" - 12 UNF-2B (SAE20)	1 5/16" - 12 UNF-2B (SAE16)
45	135	5.31	90.8	3.57		
54	140.8	5.54	96.6	3.80		
63	146.2	5.76	102	4.02		
75	153.8	6.06	109.6	4.31		

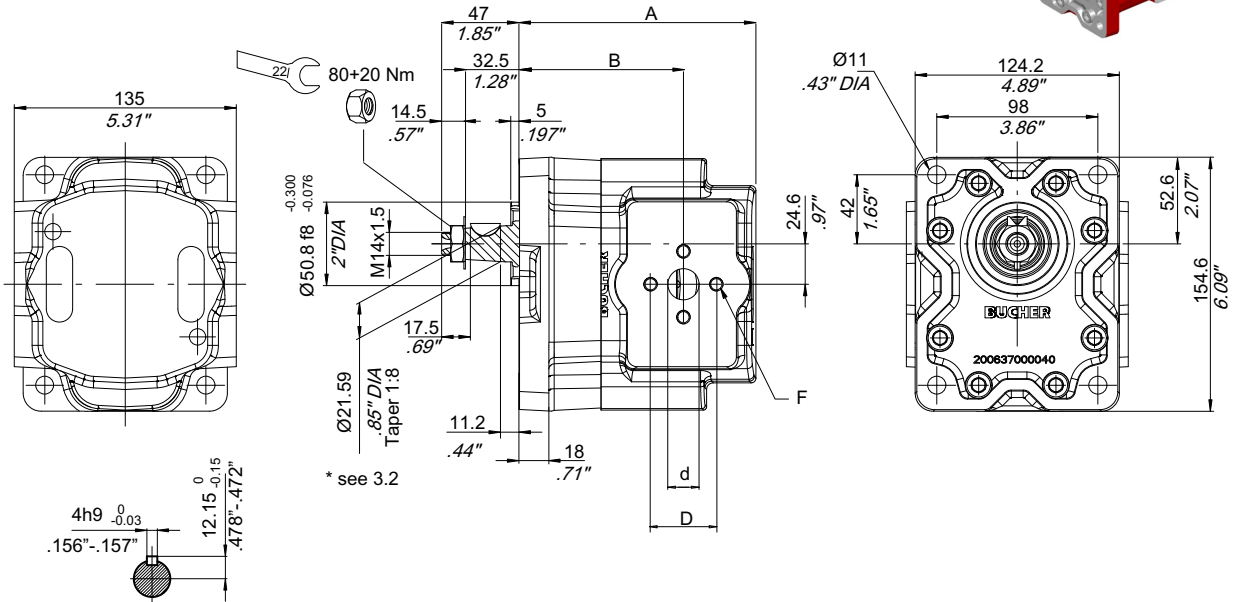
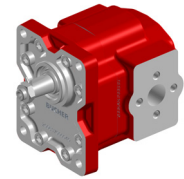
Pump description example:



* For C1- C2 dimensions see 3.2



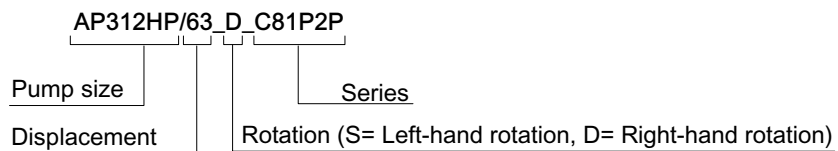
C81P2P

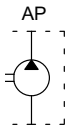


T max= 230 Nm

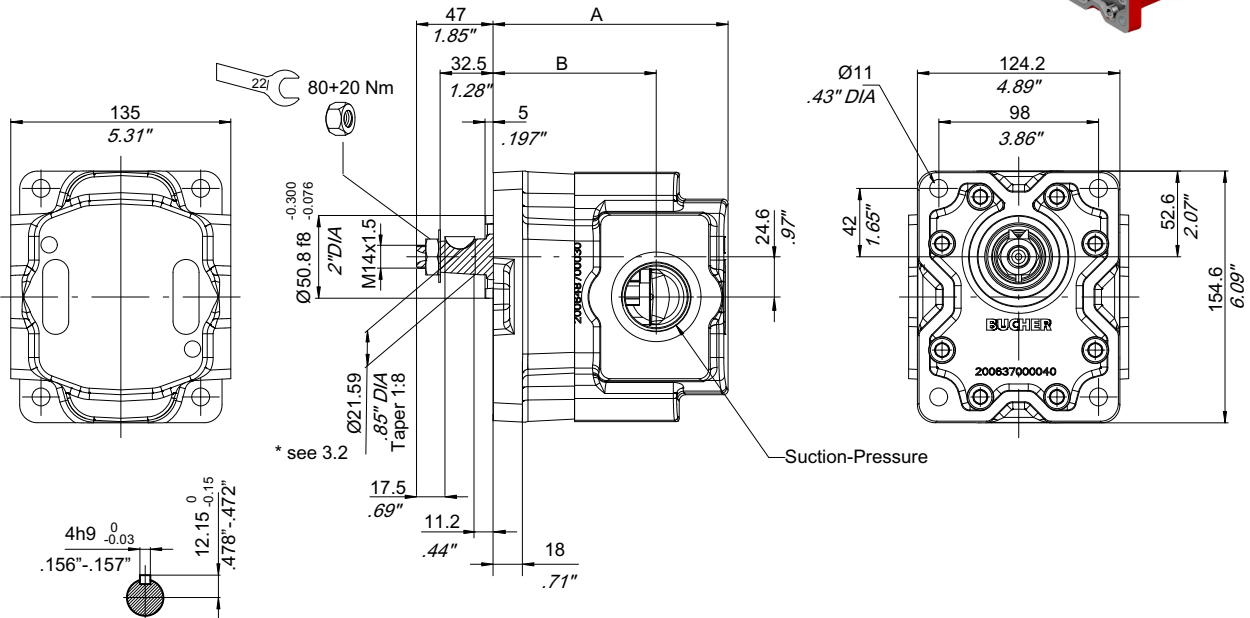
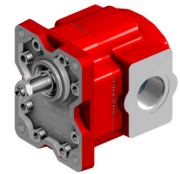
Type	A		B		Suction					Pressure				
	mm	inch	mm	inch	d	D	F	d	D	F				
40														
45														
54	144.2	5.68	100.1	3.94	27	1.06	51	2.00	M10x 1.5	19	.78	40	1.56	M8x 1.25
63	149.63	5.89	105.53	4.15										
75	157.23	6.19	113.13	4.45	33	1.22	62	2.43	M12x 1.75	27	.98	51	2.00	M10x 1.5

Pump description example:





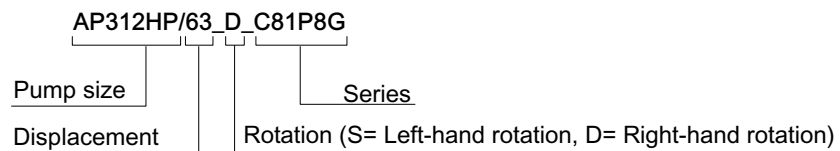
C81P8G



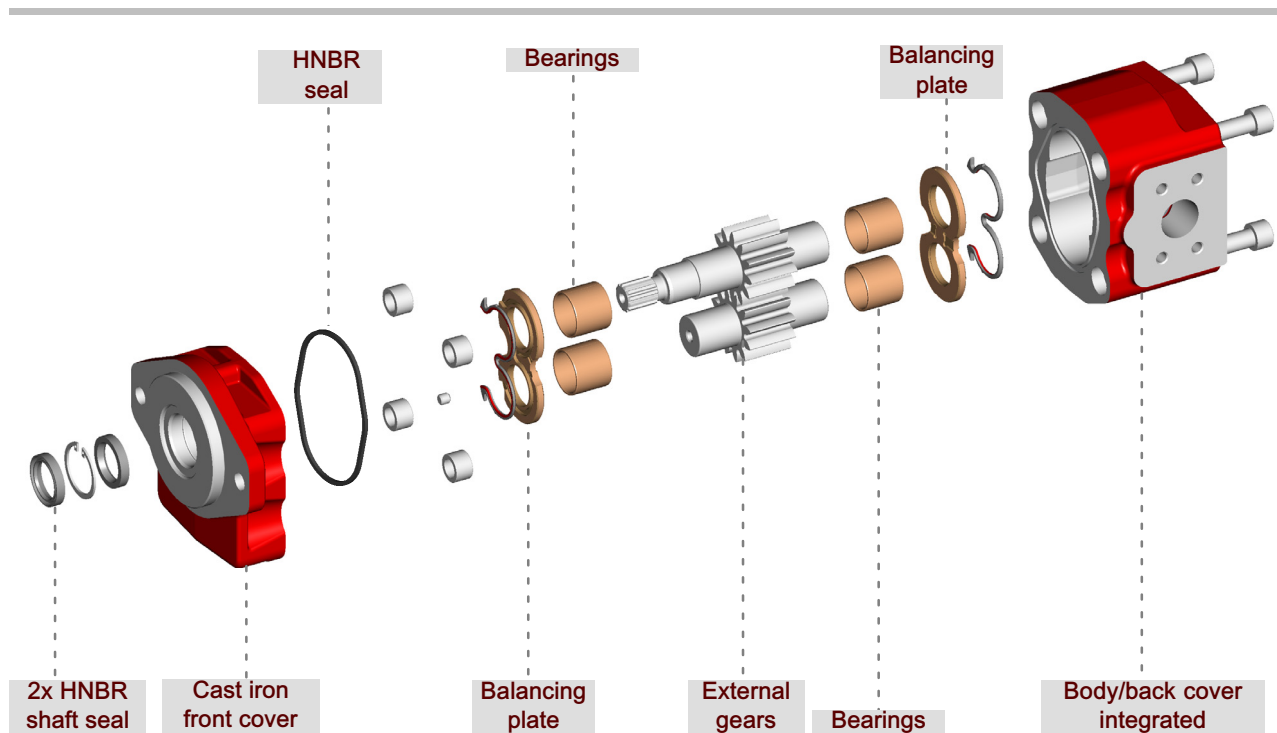
T max= 230 Nm

Type	A		B		Suction BSP	Pressure BSP
	mm	inch	mm	inch		
40						
45						
54	144.2	5.68	100.1	3.94	1 1/4" BSP	1" BSP
63	149.63	5.89	105.53	4.15		
75	157.23	6.19	113.13	4.45		

Pump description example:



3 AP312HP Single pump customised versions

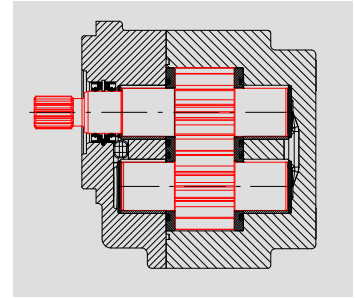
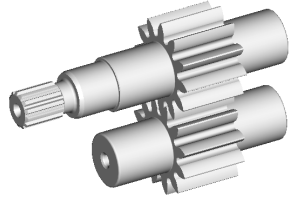


In this section, a single AP312HP pump can be configured and customized.

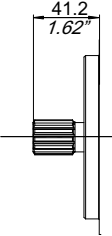
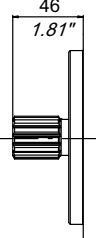
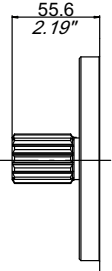
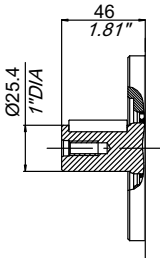
AP312HP wide availability of covers, bodies and gears provides great flexibility to AP312HP pump range and allows several different pump configurations.

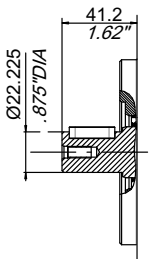
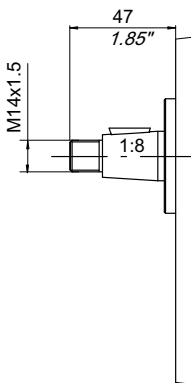
In order to simplify the selection of the desired pump combination, a 'configurator form' is available and, by filling it out, it will guide you in the pump creation process.

3.2 Shaft end code

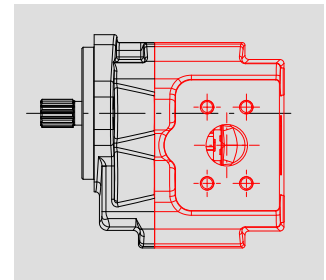
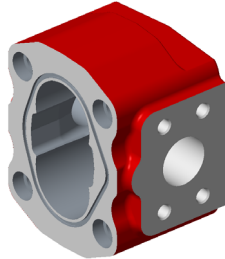
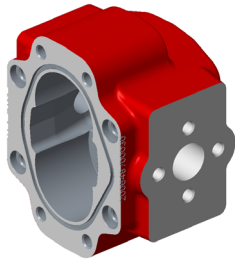


A P 3 1 2 H P / 4 0 - S - S 3

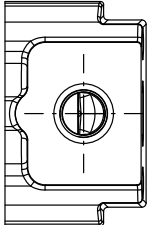
Shaft end shape	Shaft end ordering code	Max torque
	13 teeth external spline SAE J 498-13T 16/32 DP S3	T max = 270 Nm
	15 teeth external spline SAE J 498-15T 16/32 DP S5	T max = 460 Nm
	14 teeth external spline SAE J 498-14T 12/24 DP S4	T max = 950 Nm
	Straight keyed Ø 25.4 mm - 1 inches C1	T max = 280 Nm

Shaft end shape	Shaft end ordering code	Max torque
	<p>Straight keyed Ø 22.225 mm - 0.875 inches</p>	<p>C2</p> <p>T max = 185 Nm</p>
	<p>Tapered shaft 1:8</p>	<p>C8</p> <p>T max = 230 Nm</p>

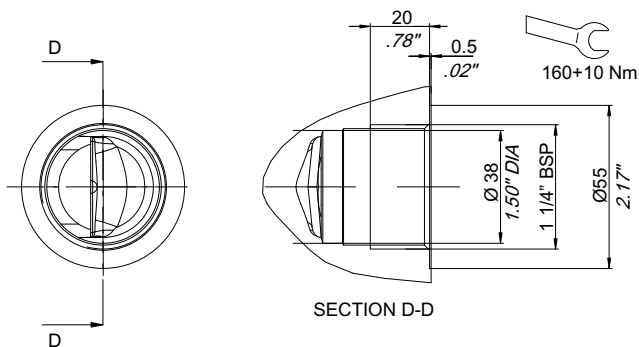
3.3.2 Port types



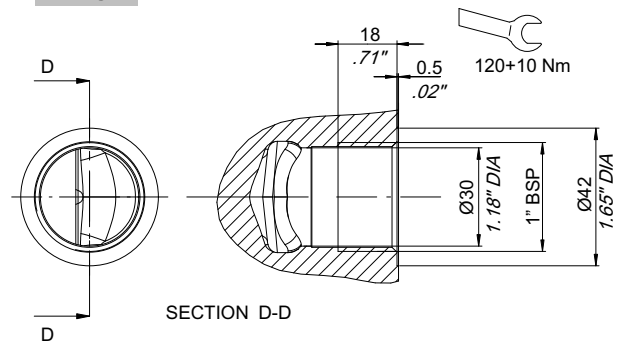
A P 3 1 2 H P / 4 0 - S - S 3 8 B 8 G A

Port type (SAE-B, SAE-C, EU)	Ordering code	Displacement	Dimension (mm - inches)		
			Suction	Pressure	code
	BSP ports 8G	40-45-54 63-75	1 1/4" BSP	1" BSP	A

1 1/4" BSP



1" BSP



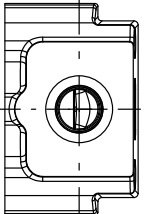
IMPORTANT!: Tightening torques depends on several different factors including lubrication, coating and surfaces finish. The fitting manufacturer shall be consulted.

In the interest of safety, only fittings with STRAIGHT THREAD ENDS should be used (e.g. DIN3852).

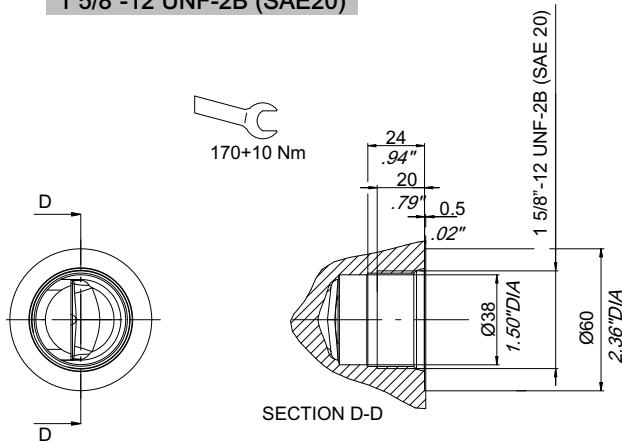
Fittings with TAPERED THREAD ENDS (e.g. DIN 3852 form C) should never be used, as they can cause deformation and cracks in the valve body.

Our warranty conditions will not be valid in case tapered fittings are used.

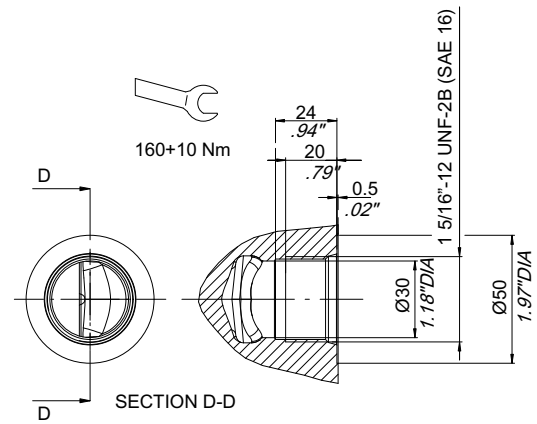
The work port adaptors have to be fastened respecting the tightening torque values indicated.

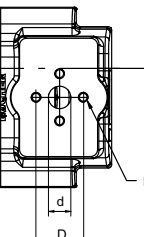
Port type (SAE-B, SAE-C, EU)	Ordering code	Displacement	Dimension (mm - inches)			
			Suction	Pressure	code	
	SAE threaded ports UNF	8S	40-45-54-63-75	1 5/8"-12 UNF-2B (SAE20)	1 5/16"-12 UNF-2B (SAE16)	A

1 5/8"-12 UNF-2B (SAE20)

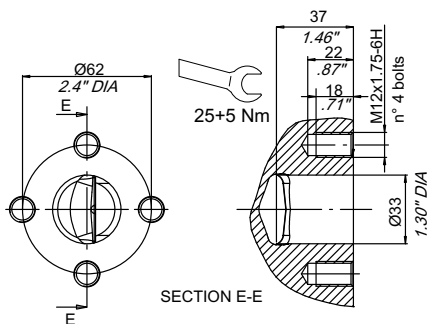


1 5/16" 12 UNF-2B (SAE16)

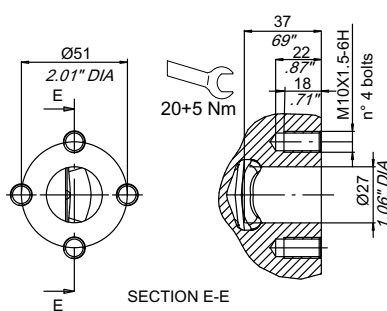


Port type (SAE-B, SAE-C, EU)	Ordering code	Displacement	Dimension (mm - inches)			
			Suction	Pressure	code	
	European 4 bolts flanged	2P	54-63	27 - 1.06 (d) 51 - 2.00 (D) M10x1.5 (F)	19 - 0.78 (d) 40 - 1.56 (D) M8x1.25 (F)	A
			75	33 - 1.22 (d) 62 - 2.43 (D) M12x1.75 (F)	27 - 1.06 (d) 51 - 2.00 (D) M10x1.5 (F)	B

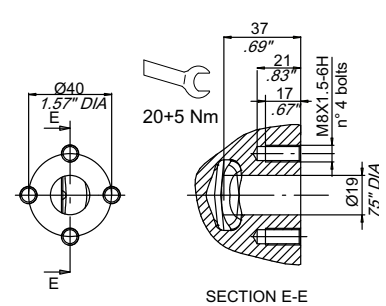
33/62



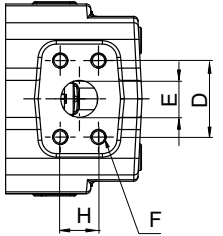
27/51

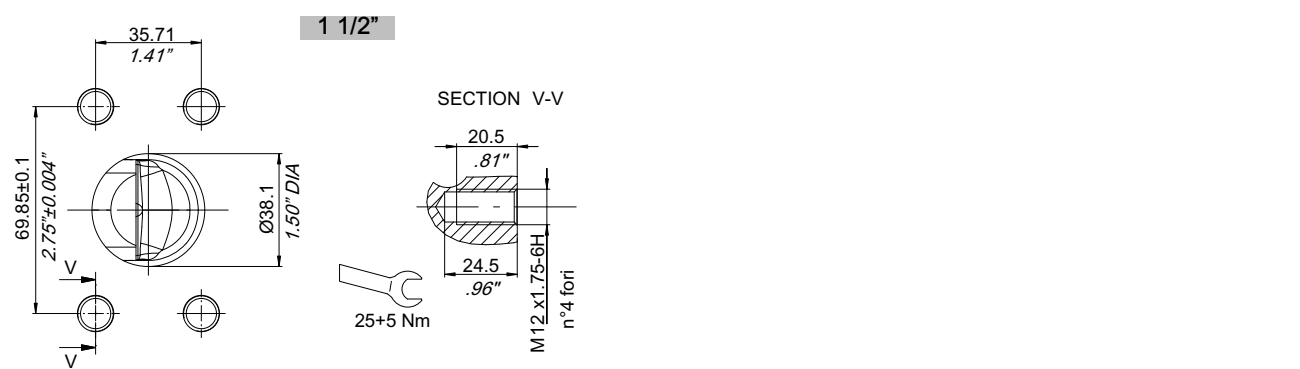
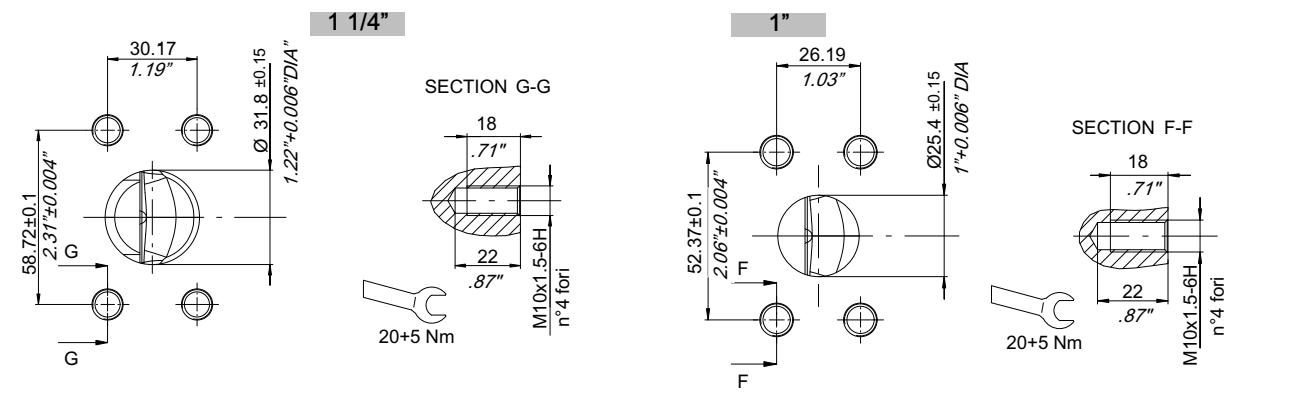


19/40



IMPORTANT! Tightening torques depends on several different factors including lubrication, coating and surfaces finish. The fitting manufacturer shall be consulted.

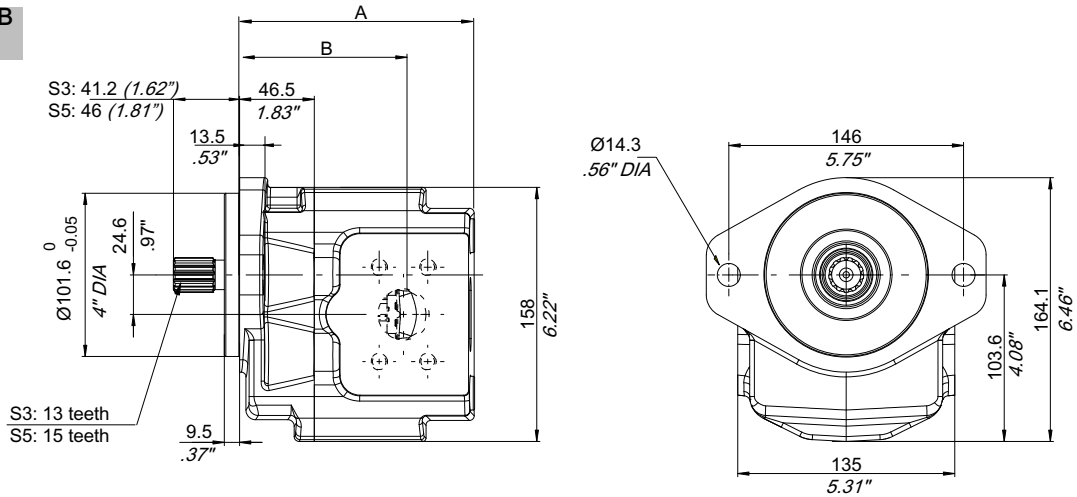
Port type These flanges are available for SAE-B and SAE-C body type, only. NOT available for European version	Ordering code	Displace- ment	Dimension (mm - inches)								code
			Suction				Pressure				
			H	D	E	F	H	D	E	F	
 SAE FLANGED PORTS J518 (3000 PSI series)	2S	40	30.17 1.19"	58.72 2.31"	31.8 1.25"	M10 x1.5	26.19 1.03"	52.37 2.06"	25.4 1"	M10 x1.5	A
		45-54	35.71 1.14"	69.85 2.75"	38.1 1.5"	M12 x1.75	30.17 1.19"	58.72 2.31"	31.8 1.5"		B
		63-75	35.71 1.14"	69.85 2.75"	38.1 1.5"	M12 x1.75	30.17 1.19"	58.72 2.31"	31.8 1.5"	C	



Other ports	9	If the requested port type is not included in the previous versions, please indicate number "9" and specify the details in the request note
-------------	---	---

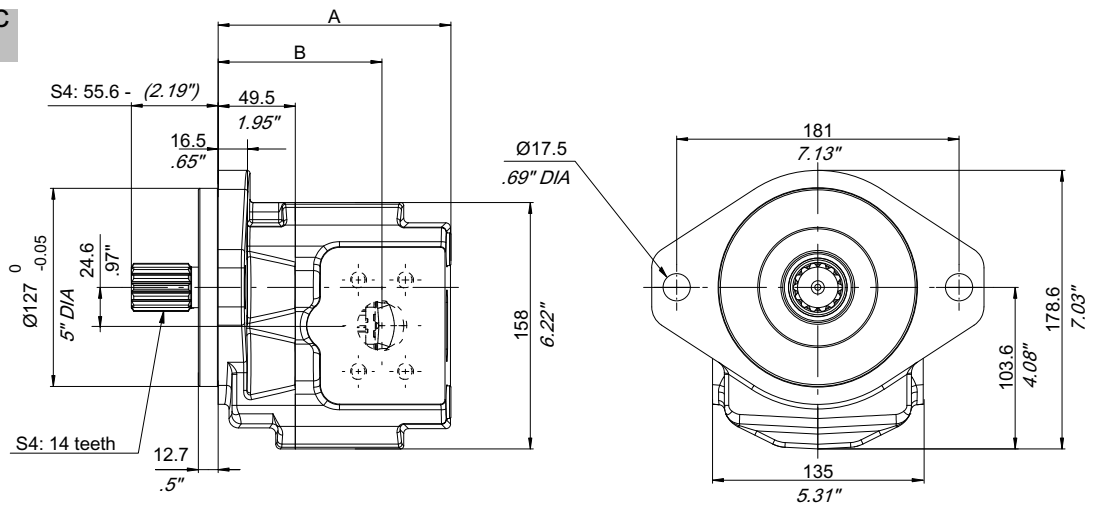
3.4 Single pump dimensions

Pump with SAE-B front cover



Pump size	A		B	
	mm	inch	mm	inch
AP312HP/40	132	5.20	87.8	3.46
AP312HP/45	135	5.31	90.8	3.57
AP312HP/54	140.8	5.54	96.6	3.80
AP312HP/63	146.2	5.76	102	4.02
AP312HP/75	153.8	6.06	109.6	4.31

Pump with SAE-C front cover



Pump size	A		B	
	mm	inch	mm	inch
AP312HP/40	135	5.31	90.8	3.57
AP312HP/45	138	5.43	93.8	3.69
AP312HP/54	143.8	5.66	99.6	3.92
AP312HP/63	149.2	5.87	105	4.13
AP312HP/75	156.8	6.17	112.6	4.43

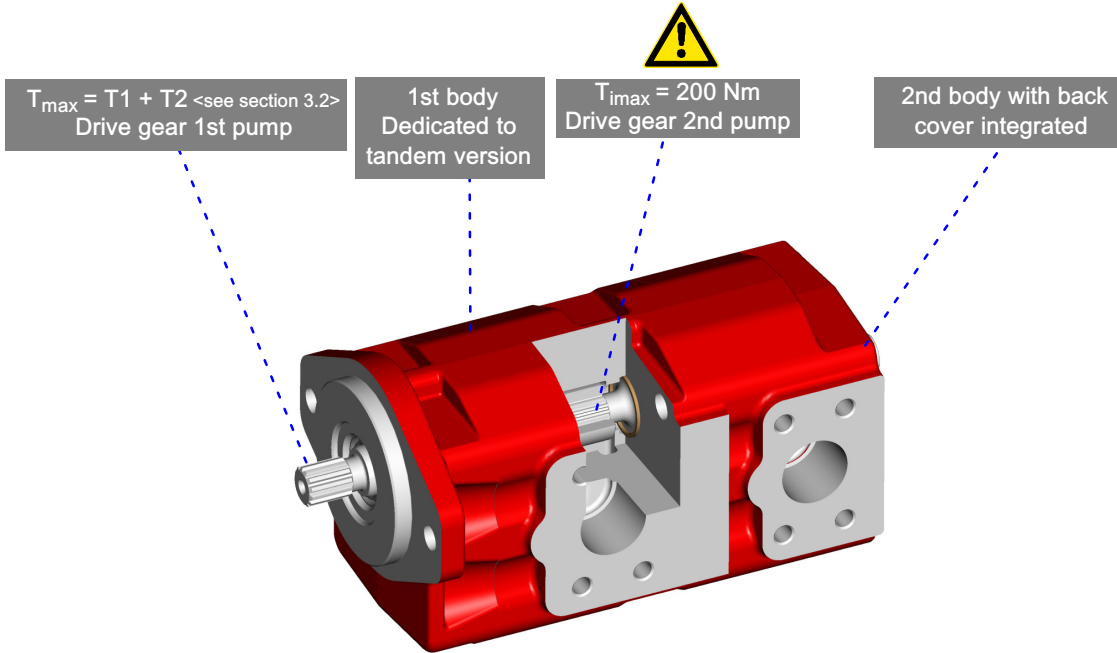
4 Multiple gear pumps

4.1 Multiple gear pumps: AP312HP+AP312HP standard cast iron versions

(SAE-B and SAE-C versions only)

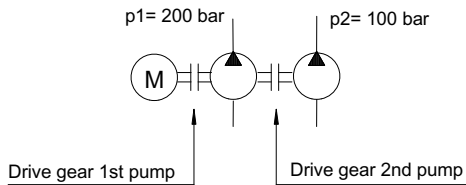
Standard versions means separated inlet/outlet side ports, without shaft seal between pump stages

4.1.1 Drive torque calculation example



$$T_{\max} = 1.59 \cdot \frac{p_1 \cdot V_{c1}}{\eta_{m1}} + 1.59 \cdot \frac{p_2 \cdot V_{c2}}{\eta_{m2}}$$

Example: AP312HP/75 + AP312HP/54

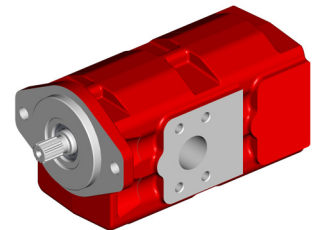


$$T_{\max} = 1.59 \cdot \frac{75 \cdot 200}{90} + 1.59 \cdot \frac{54 \cdot 100}{90} = 265 + 95.4 = 360.4 \text{ Nm}$$

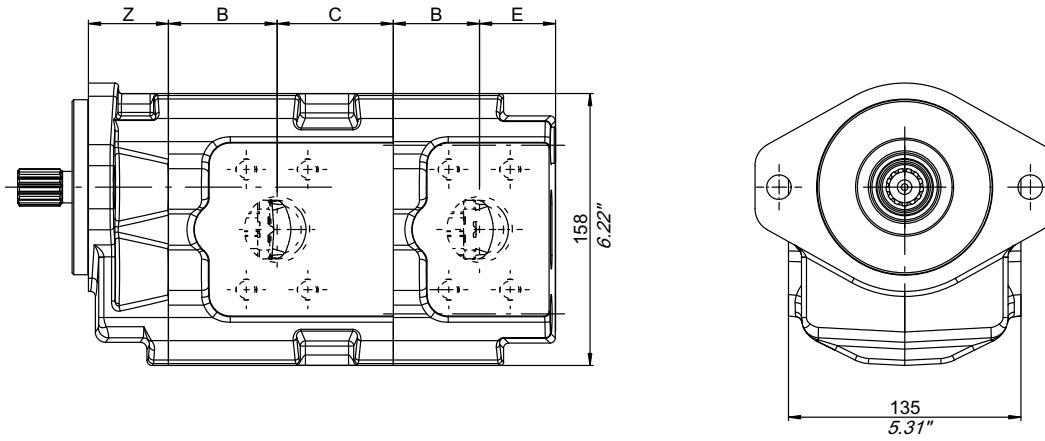
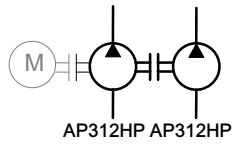
$$T_{\max} = 360.4 \leq 460 \text{ Nm (splined 15T)}$$

$$T_2 = 95.4 \leq T_{\max} 200 \text{ Nm}$$

Common suction versions available on request.
Please contact our Sales Department.



4.1.2 Tandem pumps dimensions

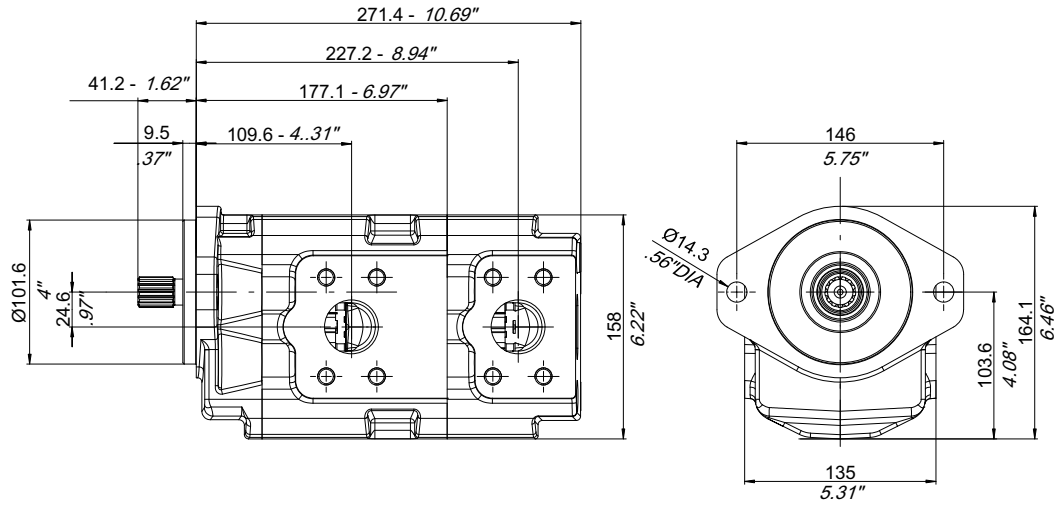


Pump size AP312HP	B		C		E	
	mm	inch	mm	inch	mm	inch
AP312HP/63	55.5	2.19	67.5	2.66	44.2	1.74
AP312HP/75	63.1	2.48	67.5	2.66	44.2	1.74

Front cover dimensions	SAE-B		SAE-C	
	mm	inch	mm	inch
Z	46.5	1.83	49.5	1.95

For other covers dimensions see 3.3.1

4.1.3 Dimensions example



Example AP312HP/75+AP312HP/54 (SAE-B front cover):

Total length: $271.4 = (Z+B+C+B+E) = 46.5 + 63.1 + 67.5 + 50.1 + 44.2$

Port position: $227.2 = (Z+B+C+B) = 46.5 + 63.1 + 67.5 + 50.1$

$109.6 = (Z+B) = 46.5 + 63.1$

4.1.4 How to order tandem pumps AP312HP+AP312HP standard cast iron versions

		1st PUMP							2nd PUMP				1st BODY		2nd BODY																					
1	2	3	4	5	6	7	8	7	8	7	8	7	8	7	8	7	8	7	8																	
A	P	3	1	2	H	P	/	7	5	-	5	4	-	S	-	S	3	8	B	2	S	C	-	2	S	B	-									

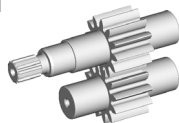
1 Function
AP= single gear pump - unidirectional

2 Series
312HP

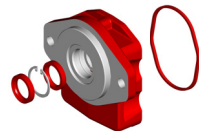
3 Displacement
40= 40.2 cm³/rev
45= 45 cm³/rev
54= 54.4 cm³/rev
63= 63.1 cm³/rev
75= 75.3 cm³/rev

4 Rotation
S = left-hand rotation
D = Right-hand rotation

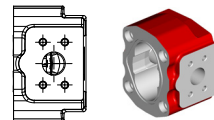
5 Shaft end code
see section 3.2



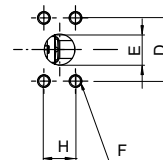
6 Front cover type
see section 3.4.1



7 Type of ports code
see section 3.3.2



8 Inlet/outlet port size code combination
see section 3.3.2



9 BHRE section :
Version - Progressive number (omitted)

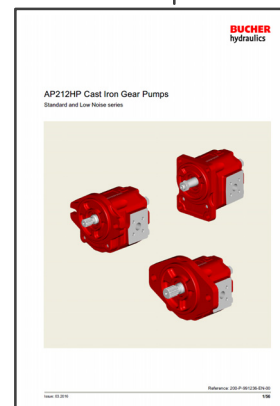
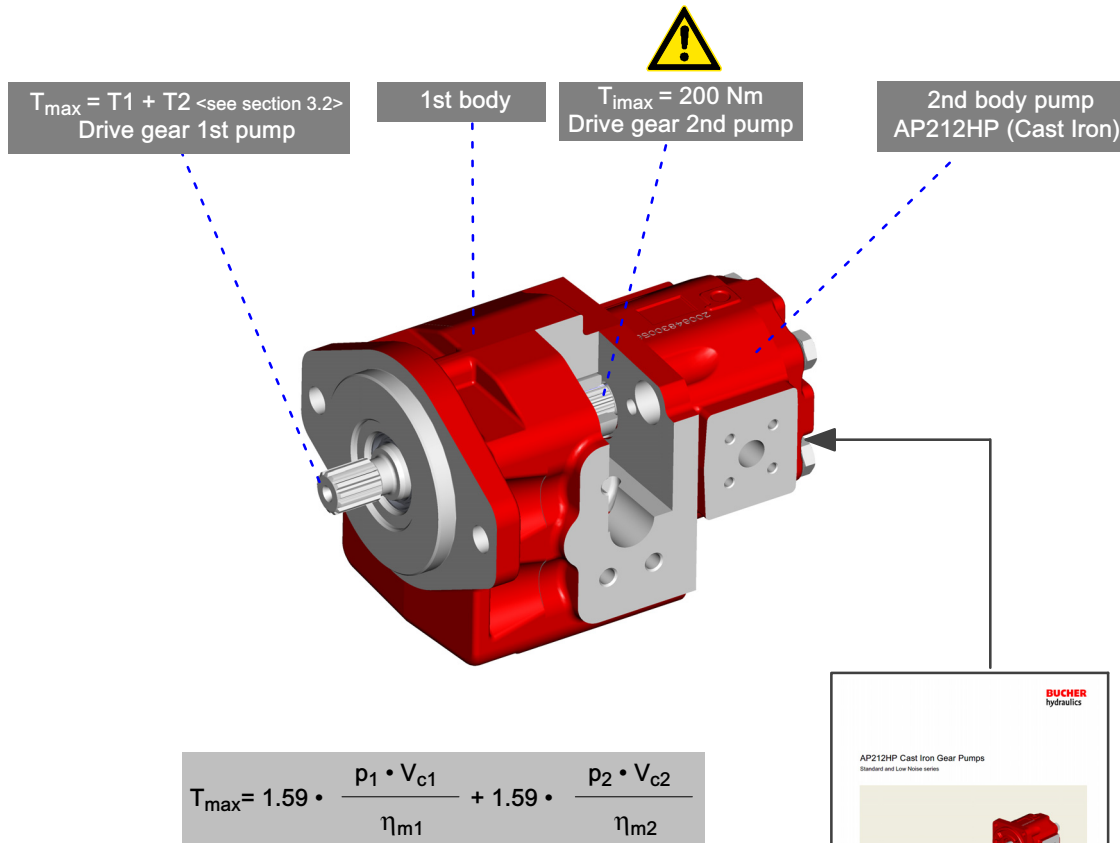
Unpainted pumps are Bucher Hydraulics standard; should a painted component be required, this feature must be specified in its purchase order.

4.2 Multiple gear pumps: AP312HP+AP212HP standard cast iron versions

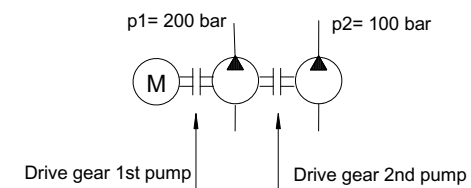
(Tandem pumps combination of group 3 with group 2 are possible for SAE-B, SAE-C and European versions, too)

Standard versions means separated inlet/outlet side ports, without shaft seal between pump stages

4.2.1 Drive torque calculation example



Example: AP312HP/45 + AP212HP/15

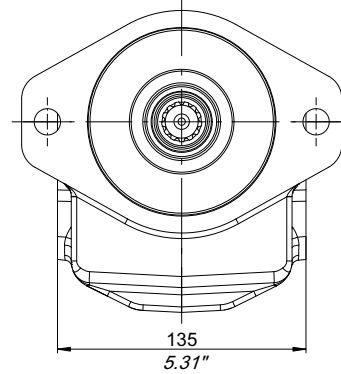
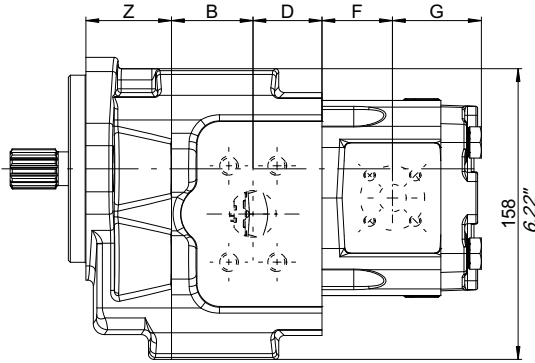
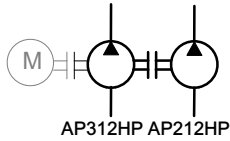


$$T_{max} = 1.59 \cdot \frac{45 \cdot 200}{90} + 1.59 \cdot \frac{15 \cdot 100}{90} = 159 + 26.5 = 185.5 \text{ Nm}$$

$$T_{max} = 185.5 \leq 230 \text{ Nm (splined 13T)}$$

$$T_2 = 26.5 \leq T_{imax} 200 \text{ Nm}$$

4.2.2 Tandem pumps dimensions



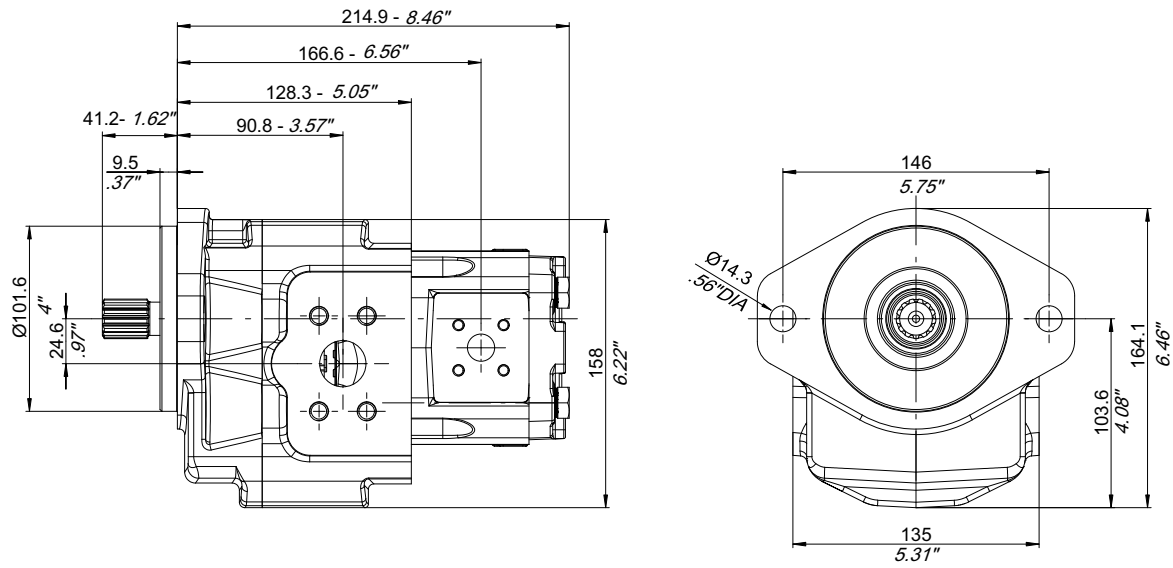
Pump size SAE-B, SAE-C	B		D		Pump size European version	B		D	
	mm	inch	mm	inch		mm	inch	mm	inch
AP312HP/40	41.3	1.63	37.5	1.48	-----	-----	-----	-----	-----
AP312HP/45	44.3	1.74	37.5	1.48	-----	-----	-----	-----	-----
AP312HP/54	50.1	1.97	37.5	1.48	AP312HP/54	50.1	1.97	37.5	1.48
AP312HP/63	55.5	2.19	37.5	1.48	AP312HP/63	55.5	2.19	37.5	1.48
AP312HP/75	63.1	2.48	37.5	1.48	AP312HP/75	63.1	2.48	37.5	1.48

Front cover dimensions	SAE-B		SAE-C		European	
	mm	inch	mm	inch	mm	inch
Z	46.5	1.83	49.5	1.95	50	1.97

For other covers dimensions see 3.3.1

Pump size AP212HP	F		G	
	mm	inch	mm	inch
AP212HP/15	38.3	1.51	48.3	1.90
AP212HP/19	41.3	1.63	51.3	2.01
AP212HP/22	43.55	1.71	55.55	2.11
AP212HP/26	46.55	1.83	56.55	2.23
AP212HP/29	48.55	1.91	58.55	2.31
AP212HP/33	51.55	2.03	61.55	2.42

4.2.3 Dimensions example



Example AP312HP/45+AP212HP/15 (SAE-B front cover):

Total length: $214.9 = (Z+B+D+F+G) = 46.5+44.3+37.5+38.3+48.3$

Port position: $166.6 = (Z+B+D+F) = 46.5+44.3+37.5+38.3$

$90.8 = (Z+B) = 46.5+44.3$

4.2.4 How to order tandem pumps AP312HP+AP212HP standard cast iron versions

		1st PUMP			2nd PUMP						1st BODY		2nd BODY																								
1	2			3	22			23	4	5	6	7	8	27	28																						
A	P	3	1	2	H	P	/	4	5	-	2	1	2	H	P	/	1	5	-	S	-	S	3	8	B	2	S	B	-	2	B	N	-				

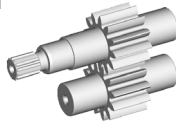
1 Function
AP= single gear pump - unidirectional

2 Series
312HP

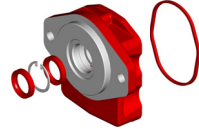
3 Displacement
40= 40.2 cm³/rev
45= 45 cm³/rev
54= 54.4 cm³/rev
63= 63.1 cm³/rev
75= 75.3 cm³/rev

4 Rotation
S = left-hand rotation
D = Right-hand rotation

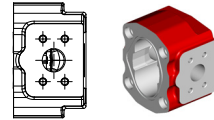
5 Shaft end code
see section 3.2



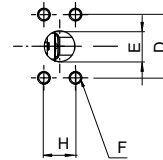
6 Front cover type
see section 3.4.1



7 Type of ports code
see section 3.3.2



8 Inlet/outlet port size code combination
see section 3.3.2



**9 BHRE section :
Version - Progressive number (omitted)**

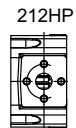
AP212HP

22 Series
212HP (Cast iron)

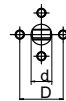
23 Displacement
212HP
15= 15.1 cm³/rev
19= 19.2 cm³/rev
22= 22.2 cm³/rev
26= 26.2 cm³/rev
29= 28.9 cm³/rev
33= 33 cm³/rev

24 Version
Omitted if 12 teeth standard
LN= 12 teeth Low Noise version

27 Type of ports code
see section 3.5 AP212HP Catalogue



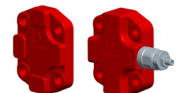
28 Inlet/outlet port size code combination
see section 3.5 AP212HP Catalogue



29 Body material + seal material code
see section 3.5.1 AP212HP Catalogue



30 Back cover type / Valve setting value
see section 3.6 AP212HP Catalogue



Unpainted pumps are Bucher Hydraulics standard; should a painted component be required, this feature must be specified in its purchase order.

4.3 Multiple gear pumps: AP312HP+AP212 cast iron + aluminium versions

(Tandem pumps combination of group 3 with group 2 are possible for SAE-B, SAE-C and European versions, too)

Standard versions means separated inlet/outlet side ports, without shaft seal between pump stages

4.3.1 Drive torque calculation example

$T_{max} = T_1 + T_2$
 <see section 3.2>
 Drive gear 1st pump

1st body

$T_{imax} = 200 \text{ Nm}$
 Drive gear 2nd pump

2nd body pump
 AP212 (aluminium)

$$T_{max} = 1.59 \cdot \frac{p_1 \cdot V_{c1}}{\eta_{m1}} + 1.59 \cdot \frac{p_2 \cdot V_{c2}}{\eta_{m2}}$$

Example: AP312HP/45 + AP212/15

Drive gear 1st pump
Drive gear 2nd pump

AP212 Gear Pumps
 Standard and Low Noise series

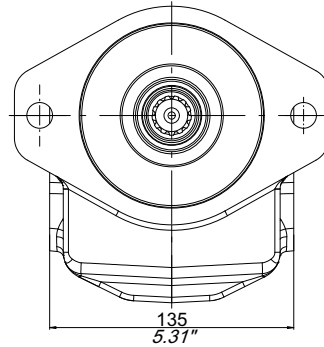
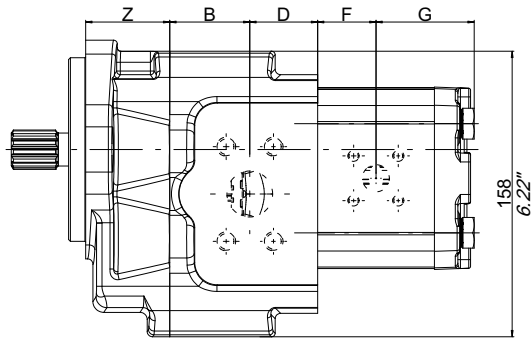
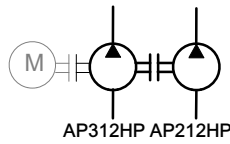
Further information regarding group 2 pumps: see dedicated "AP212 Gear Pumps" catalogue

$$T_{max} = 1.59 \cdot \frac{45 \cdot 200}{90} + 1.59 \cdot \frac{15 \cdot 100}{90} = 159 + 26.5 = 185.5 \text{ Nm}$$

$$T_{max} = 185.5 \leq 230 \text{ Nm (splined 13T)}$$

$$T_2 = 26.5 \leq T_{imax} 200 \text{ Nm}$$

4.3.2 Tandem pumps dimensions



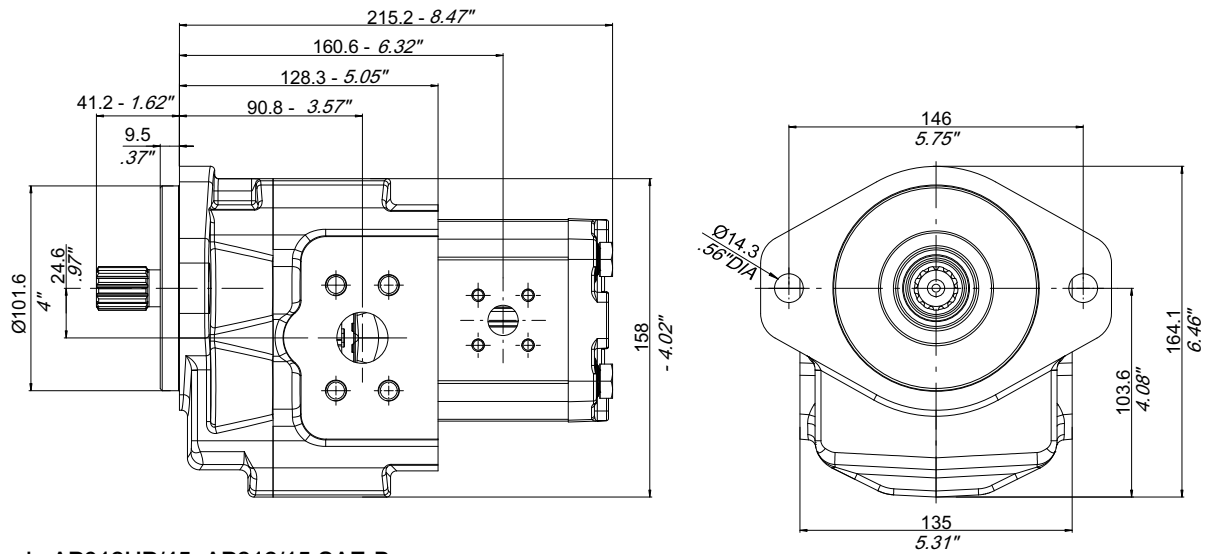
Pump size SAE-B, SAE-C	B		D		Pump size European version	B		D	
	mm	inch	mm	inch		mm	inch	mm	inch
AP312HP/40	41.3	1.63	37.5	1.48	-----	-----	-----	-----	-----
AP312HP/45	44.3	1.74	37.5	1.48	-----	-----	-----	-----	-----
AP312HP/54	50.1	1.97	37.5	1.48	AP312HP/54	50.1	1.97	37.5	1.48
AP312HP/63	55.5	2.19	37.5	1.48	AP312HP/63	55.5	2.19	37.5	1.48
AP312HP/75	63.1	2.48	37.5	1.48	AP312HP/75	63.1	2.48	37.5	1.48

Front cover dimensions	SAE-B		SAE-C		European	
	mm	inch	mm	inch	mm	inch
Z	46.5	1.83	49.5	1.95	50	1.97

For other covers dimensions see 3.3.1

Pump size AP212 aluminium	F		G	
	mm	inch	mm	inch
AP212/4.5	24.3	0.96	46.6	1.83
AP212/6.5	25.8	1.02	48.1	1.89
AP212/8.5	27.3	1.08	49.6	1.95
AP212/11	29.3	1.54	51.6	2.03
AP212/15	32.3	1.27	54.6	2.15
AP212/19	35.3	1.39	57.6	2.27
AP212/22	37.6	1.48	59.9	2.36
AP212/26	40.6	1.60	62.9	2.48

4.3.3 Dimensions example



Example AP312HP/45+AP212/15 SAE-B:

Total length: $214.9 = (Z+B+D+F+G) = 46.5+44.3+37.5+32.3+54.6$

Port position: $160.6 = (Z+B+D+F) = 46.5+44.3+37.5+32.3$

$90.8 = (Z+B) = 46.5+44.3$

4.3.4 How to order triple pumps AP312HP+AP212 cast iron + aluminium versions

	1st PUMP					2nd PUMP AP212 Aluminium					1st BODY		2nd BODY																	
1	2				3	22				23	4	5	6	7	8	27	28													
A	P	3	1	2	H	P	/	4	5	-	2	1	2	/	1	5	-	S	-	S	3	8	B	2	S	B	-	2	B	N

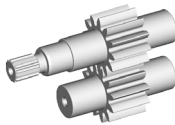
1 Function
AP= single gear pump - unidirectional

2 Series
312HP

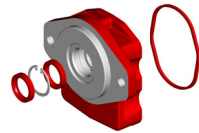
3 Displacement
40= 40.2 cm³/rev
45= 45 cm³/rev
54= 54.4 cm³/rev
63= 63.1 cm³/rev
75= 75.3 cm³/rev

4 Rotation
S = left-hand rotation
D = Right-hand rotation

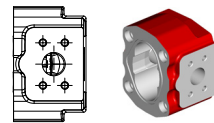
5 Shaft end code
see section 3.2



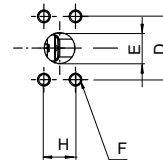
6 Front cover type
see section 3.4.1



7 Type of ports code
see section 3.3.2



8 Inlet/outlet port size code combination
see section 3.3.2



**9 BHRE section :
Version - Progressive number (omitted)**

AP212

22 Series
212 (Aluminium)

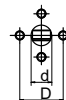
23 Displacement
212
4.5= 4.4 cm³/rev
6.5= 6.4 cm³/rev
8.5= 8.4 cm³/rev
11= 11.1 cm³/rev
15= 15.1 cm³/rev
19= 19.2 cm³/rev
22= 22.2 cm³/rev
26= 26.2 cm³/rev

24 Version
Omitted if 12 teeth standard
LN= 12 teeth Low Noise version

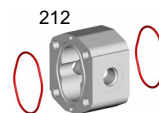
27 Type of ports code
see section 3.5 AP212 Catalogue



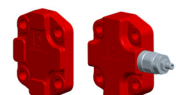
28 Inlet/outlet port size code combination
see section 3.5 AP212 Catalogue



29 Body material + seal material code
see section 3.5.1 AP212 Catalogue



30 Back cover type / Valve setting value
see section 3.6 AP212 Catalogue



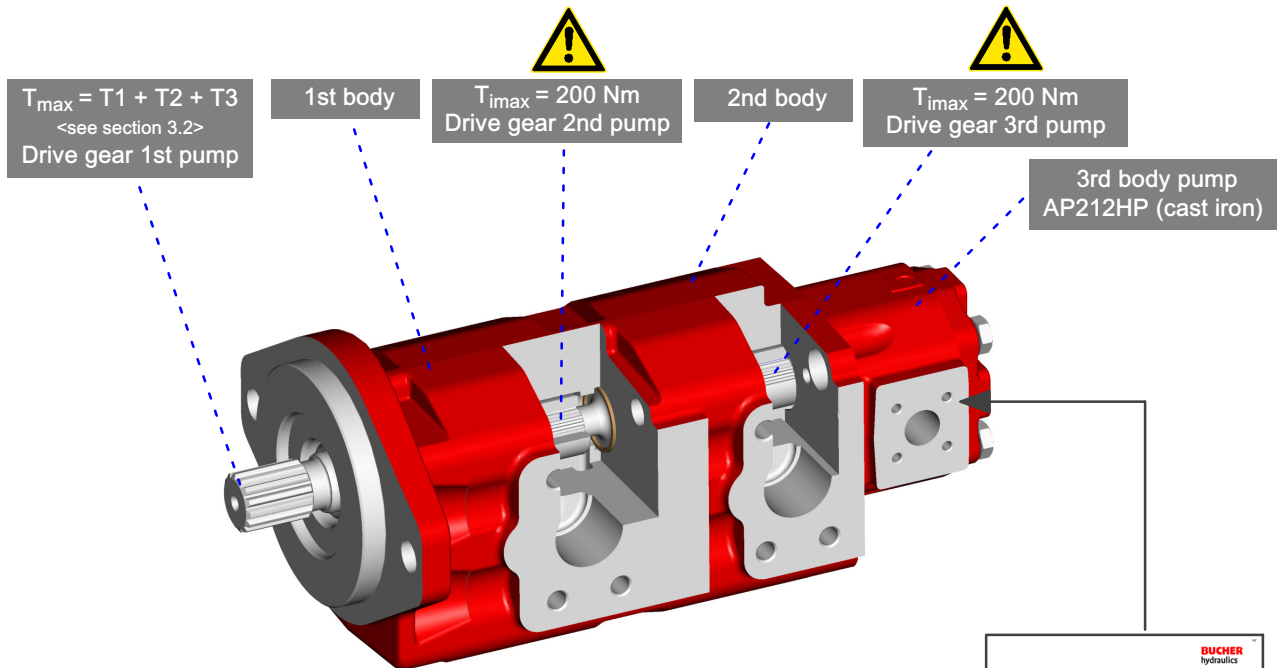
Unpainted pumps are Bucher Hydraulics standard; should a painted component be required, this feature must be specified in its purchase order.

4.4 Multiple gear pumps: AP312HP+AP312HP+AP212HP cast iron versions

(AP312HP: SAE-B and SAE-C versions only)

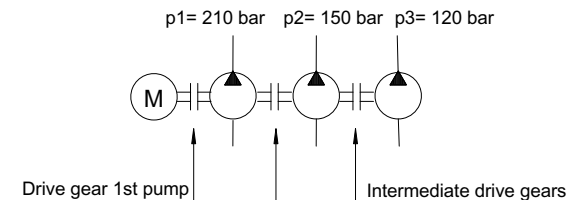
Standard versions means separated inlet/outlet side ports, without shaft seal among pump stages

4.4.1 Drive torque calculation example



$$T_{max} = 1.59 \cdot \frac{p_1 \cdot V_{c1}}{\eta_{m1}} + 1.59 \cdot \frac{p_2 \cdot V_{c2}}{\eta_{m2}} + 1.59 \cdot \frac{p_3 \cdot V_{c3}}{\eta_{m3}}$$

Example: AP312HP/75 + AP312HP/54 + AP212HP/15

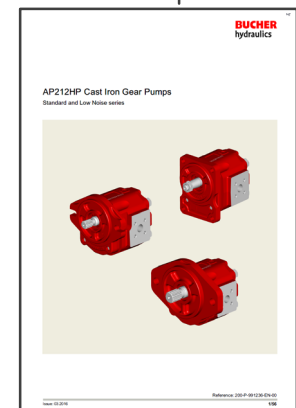


$$T_{max} = 1.59 \cdot \frac{75 \cdot 210}{90} + 1.59 \cdot \frac{54 \cdot 150}{90} + 1.59 \cdot \frac{15 \cdot 120}{90} = 278.25 + 143.1 + 31.8 = 453.15 \text{ Nm}$$

$$T_{max} = 453.15 \leq 950 \text{ Nm (splined 14T)}$$

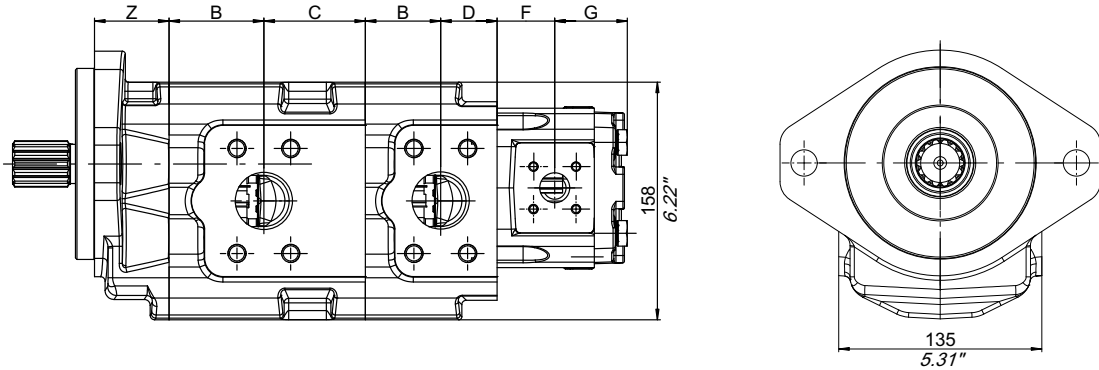
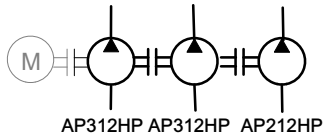
$$T_2 = 174.9 \leq T_{imax} 200 \text{ Nm} \quad T_3 = 31.8 \leq T_{imax} 200 \text{ Nm}$$

Common suction versions available on request.
Please contact our Sales Department.



Further information regarding group 2 pumps: see dedicated "AP212HP Cast Iron Gear Pumps" catalogue

4.4.2 Triple/multiple pumps dimensions



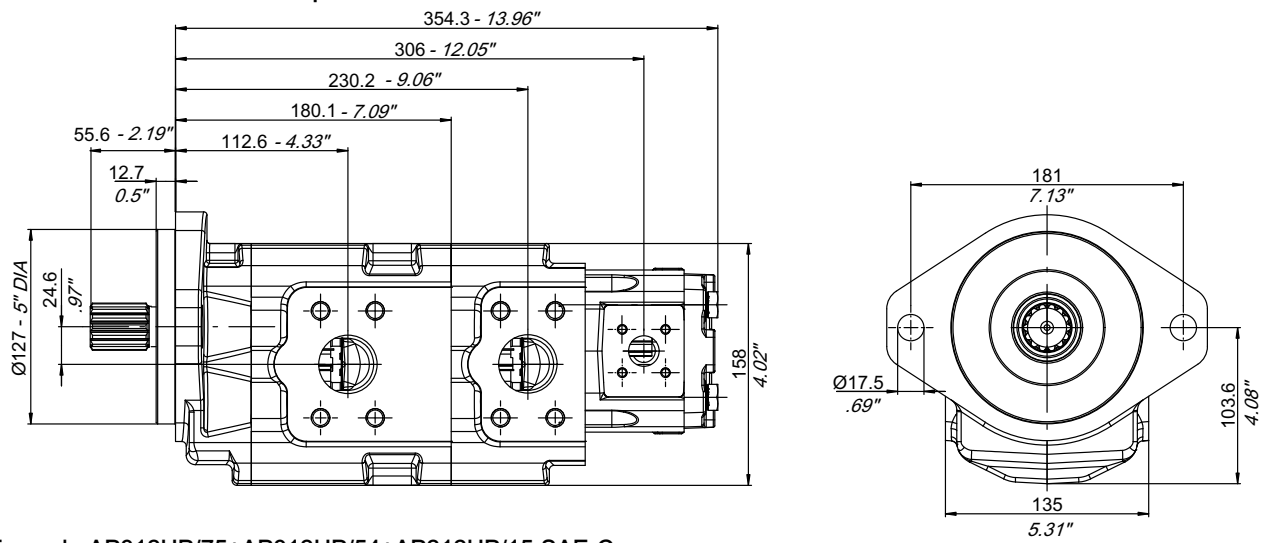
Pump size	B		C		D	
	mm	inch	mm	inch	mm	inch
AP312HP/40	41.3	1.63	-	-	37.5	1.48
AP312HP/45	44.3	1.74	-	-	37.5	1.48
AP312HP/54	50.1	1.97	-	-	37.5	1.48
AP312HP/63	55.5	2.19	67.5	2.66	37.5	1.48
AP312HP/75	63.1	2.48	67.5	2.66	37.5	1.48

Front cover dimensions	SAE-B		SAE-C	
	mm	inch	mm	inch
Z	46.5	1.83	49.5	1.95

For other covers dimensions see 3.3.1

Pump size	F		G	
	mm	inch	mm	inch
AP212HP				
AP212HP/15	38.3	1.51	48.3	1.90
AP212HP/19	41.3	1.63	51.3	2.01
AP212HP/22	43.55	1.71	55.55	2.11
AP212HP/26	46.55	1.83	56.55	2.23
AP212HP/29	48.55	1.91	58.55	2.31
AP212HP/33	51.55	2.03	61.55	2.42

4.4.3 Dimensions example



Example AP312HP/75+AP312HP/54+AP212HP/15 SAE-C:

Total length: $354.3 = (Z+B+C+B+D+F+G) = 49.5+63.1+67.5+50.1+37.5+38.3+48.3$

Port position: $306 = (Z+B+C+B+D+F) = 49.5+63.1+67.5+50.1+37.5+38.3$

$230.2 = (Z+B+C+B) = 49.5+63.1+67.5+50.1$

$112.6 = (Z+B) = 49.5+63.1$

4.4.4 How to order triple pumps AP312HP+AP312HP+AP212HP cast iron versions

1st PUMP			2nd PUMP	3rd PUMP AP212 Aluminium			1st BODY		2nd BODY		3rd BODY											
1	2		3	3	22		23	4	5	6	7	8	7	8	27	28						
A	P	3 1	2 H	P /	7 5	-	5 4	-	2 1	2 /	1 5	-	S -	S 4	8 C	2 S	C -	2 S	B	-	2 B	N

1 Function

AP= single gear pump - unidirectional

2 Series

312HP

3 Displacement

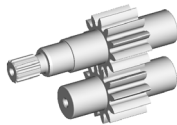
40= 40.2 cm³/rev
45= 45 cm³/rev
54= 54.4 cm³/rev
63= 63.1 cm³/rev
75= 75.3 cm³/rev

4 Rotation

S = left-hand rotation
D = Right-hand rotation

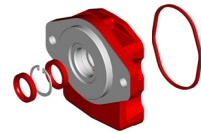
5 Shaft end code

see section 3.2



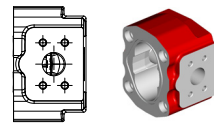
6 Front cover type

see section 3.4.1



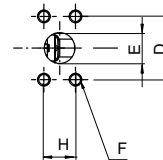
7 Type of ports code

see section 3.3.2



8 Inlet/outlet port size code combination

see section 3.3.2



9 BHRE section : Version - Progressive number (omitted)

AP212HP

22 Series

212HP (Cast iron)

23 Displacement

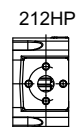
212HP
15= 15.1 cm³/rev
19= 19.2 cm³/rev
22= 22.2 cm³/rev
26= 26.2 cm³/rev
29= 28.9 cm³/rev
33= 33 cm³/rev

24 Version

Omitted if 12 teeth standard
LN= 12 teeth Low Noise version

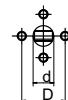
27 Type of ports code

see section 3.5 AP212HP Catalogue



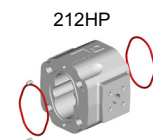
28 Inlet/outlet port size code combination

see section 3.5 AP212HP Catalogue



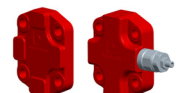
29 Body material + seal material code

see section 3.5.1 AP212HP Catalogue



30 Back cover type / Valve setting value

see section 3.6 AP212HP Catalogue

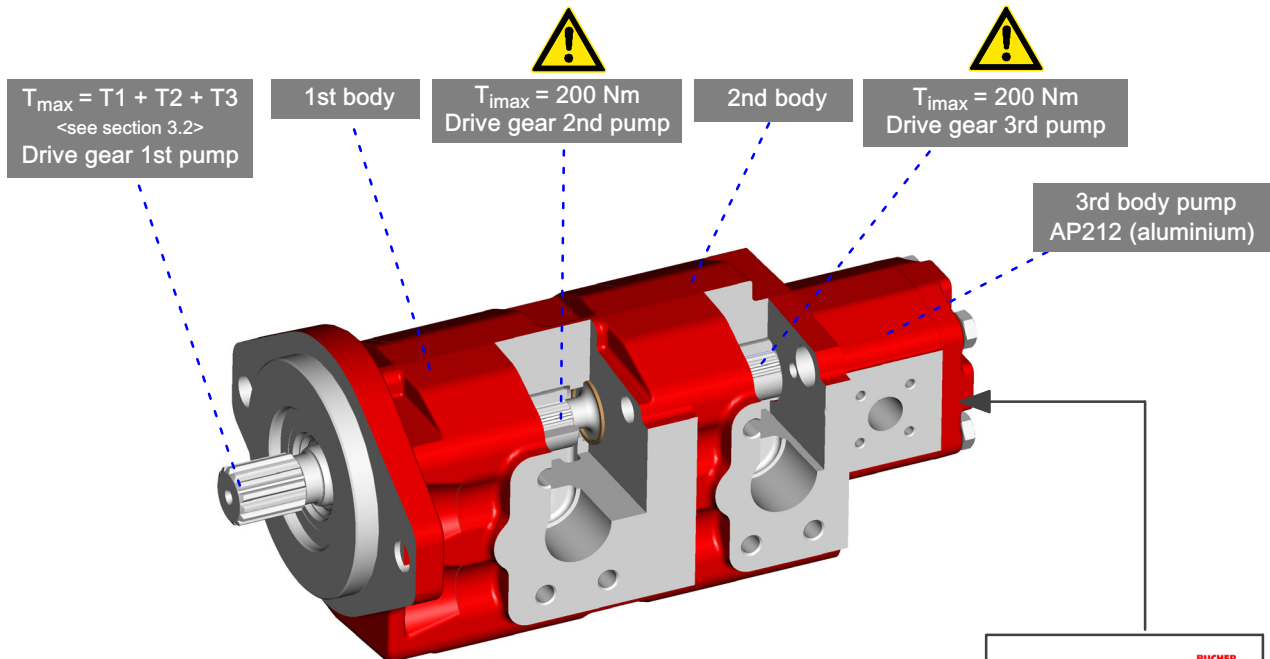


Unpainted pumps are Bucher Hydraulics standard; should a painted component be required, this feature must be specified in its purchase order.

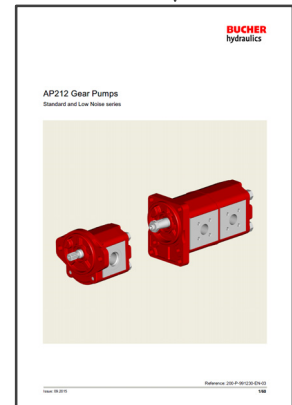
4.5 Multiple gear pumps: AP312HP+AP312HP+AP212 cast iron + aluminium versions (AP312HP: SAE-B and SAE-C versions only)

Standard versions means separated inlet/outlet side ports, without shaft seal among pump stages

4.5.1 Drive torque calculation example

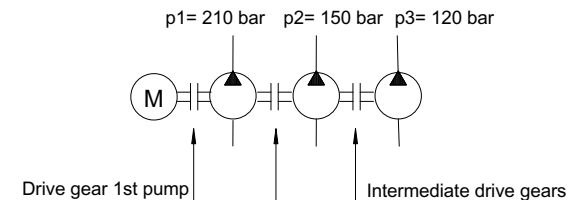


$$T_{\max} = 1.59 \cdot \frac{p_1 \cdot V_{c1}}{\eta_{m1}} + 1.59 \cdot \frac{p_2 \cdot V_{c2}}{\eta_{m2}} + 1.59 \cdot \frac{p_3 \cdot V_{c3}}{\eta_{m3}}$$



Further information regarding group 2 pumps: see dedicated "AP212 Gear Pumps" catalogue

Example: AP312HP/75 + AP312HP/54 + AP212/15



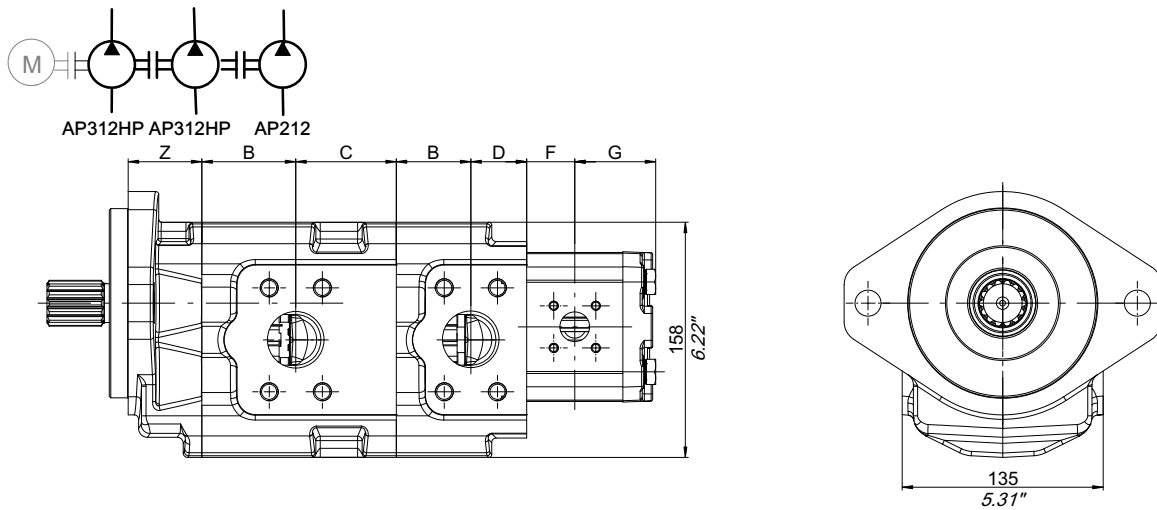
$$T_{\max} = 1.59 \cdot \frac{75 \cdot 210}{90} + 1.59 \cdot \frac{54 \cdot 150}{90} + 1.59 \cdot \frac{15 \cdot 120}{90} = 278.25 + 143.1 + 31.8 = 453.15 \text{ Nm}$$

$$T_{\max} = 444.15 \leq 950 \text{ Nm (splined 14T)}$$

$$T_2 = 174.9 \leq T_{\max} 200 \text{ Nm} \quad T_3 = 31.8 \leq T_{\max} 200 \text{ Nm}$$

Common suction versions available on request.
Please contact our Sales Department.

4.5.2 Triple/multiple pumps dimensions



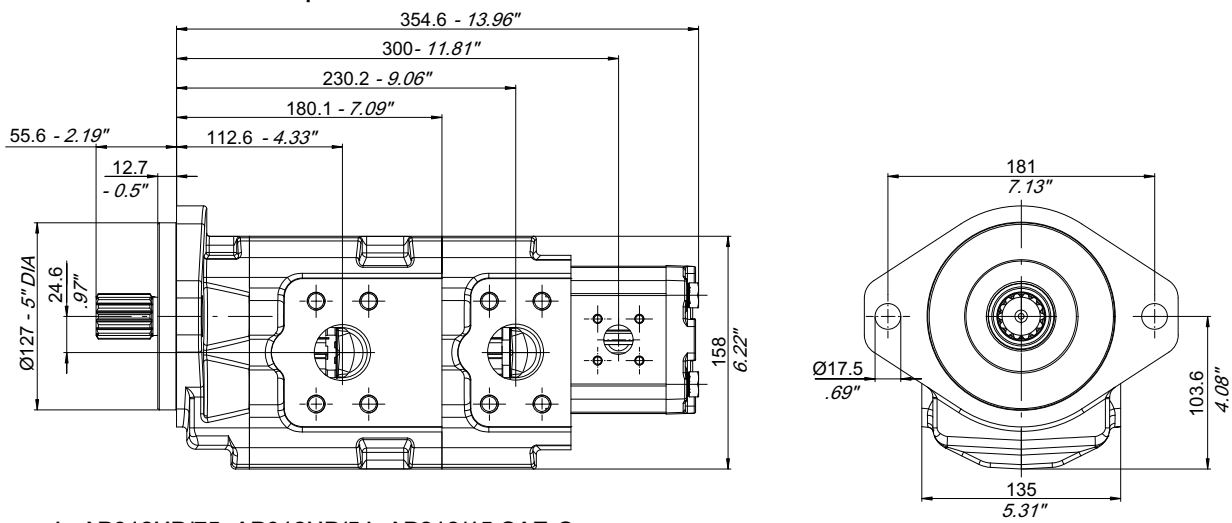
Pump size	B		C		D	
	mm	inch	mm	inch	mm	inch
AP312HP/40	41.3	1.63	-	-	37.5	1.48
AP312HP/45	44.3	1.74	-	-	37.5	1.48
AP312HP/54	50.1	1.97	-	-	37.5	1.48
AP312HP/63	55.5	2.19	67.5	2.66	37.5	1.48
AP312HP/75	63.1	2.48	67.5	2.66	37.5	1.48

Front cover dimensions	SAE-B		SAE-C	
	mm	inch	mm	inch
Z	46.5	1.83	49.5	1.95

For other covers dimensions see 3.3.1

Pump size AP212 aluminium	F		G	
	mm	inch	mm	inch
AP212/4.5	24.3	0.96	46.6	1.83
AP212/6.5	25.8	1.02	48.1	1.89
AP212/8.5	27.3	1.08	49.6	1.95
AP212/11	29.3	1.54	51.6	2.03
AP212/15	32.3	1.27	54.6	2.15
AP212/19	35.3	1.39	57.6	2.27
AP212/22	37.6	1.48	59.9	2.36
AP212/26	40.6	1.60	62.9	2.48

4.5.3 Dimensions example



Example AP312HP/75+AP312HP/54+AP212/15 SAE-C:

Total length: $354.6 = (Z+B+C+B+D+F+G) = 49.5+63.1+67.5+50.1+37.5+32.3+54.6$

Port position: $300 = (Z+B+C+B+D+F) = 49.5+63.1+67.5+50.1+37.5+32.3$

$230.2 = (Z+B+C+B) = 49.5+63.1+67.5+50.1$

$112.6 = (Z+B) = 49.5+63.1$

4.5.4 How to order triple pumps AP312HP+AP312HP+AP212 cast iron + aluminium versions

1st PUMP			2nd PUMP	3rd PUMP AP212 Aluminium			1st BODY		2nd BODY		3rd BODY					
1	2		3	3	22		23	4	5	6	7	8	7	8	27	28
A	P	3 1	2 H P /	7 5 -	5 4 -	2 1 2 /	1 5 -	S -	S 4 8	C 2 S C -	2 S B -	2 B N				

1 Function

AP= single gear pump - unidirectional

2 Series

312HP

3 Displacement

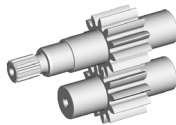
40= 40.2 cm³/rev
45= 45 cm³/rev
54= 54.4 cm³/rev
63= 63.1 cm³/rev
75= 75.3 cm³/rev

4 Rotation

S = left-hand rotation
D = Right-hand rotation

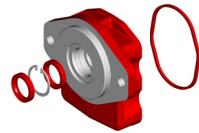
5 Shaft end code

see section 3.2



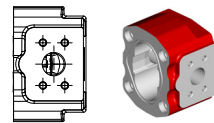
6 Front cover type

see section 3.4.1



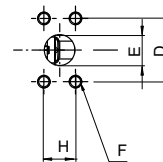
7 Type of ports code

see section 3.3.2



8 Inlet/outlet port size code combination

see section 3.3.2



9 BHRE section :

Version - Progressive number (omitted)

AP212

22 Series

212 (Aluminium)

23 Displacement

212
4.5= 4.4 cm³/rev
6.5= 6.4 cm³/rev
8.5= 8.4 cm³/rev
11= 11.1 cm³/rev
15= 15.1 cm³/rev
19= 19.2 cm³/rev
22= 22.2 cm³/rev
26= 26.2 cm³/rev

24 Version

Omitted if 12 teeth standard
LN= 12 teeth Low Noise version

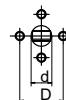
27 Type of ports code

see section 3.5 AP212 Catalogue



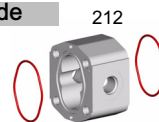
28 Inlet/outlet port size code combination

see section 3.5 AP212 Catalogue



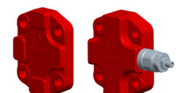
29 Body material + seal material code

see section 3.5.1 AP212 Catalogue



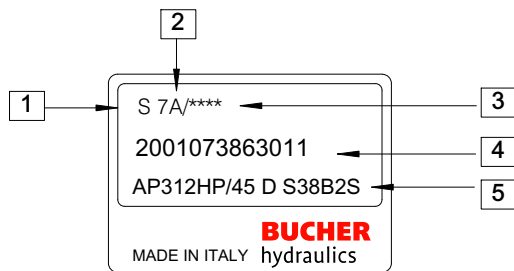
30 Back cover type / Valve setting value

see section 3.6 AP212 Catalogue



Unpainted pumps are Bucher Hydraulics standard; should a painted component be required, this feature must be specified in its purchase order.

5 Product identification plate



1 : Rotation (D= Clockwise rotation - S= Counterclockwise rotation)

2 : Manufacturing year and month

3 : Progressive identification no. (optional)

4 : Bucher Hydraulics S.p.A. product code

5 : Description

Manufacturing month	Manufacturing year				
	2017	2018	2019	2020	2021
January	7A	8M	9M	0M	1M
February	7B	8N	9N	0N	1N
March	7C	8P	9P	0P	1P
April	7D	8Q	9Q	0Q	1Q
May	7E	8R	9R	0R	1R
June	7F	8S	9S	0S	1S
July	7G	8T	9T	0T	1T
August	7H	8U	9U	0U	1U
September	7I	8V	9V	0V	1V
October	7J	8Z	9Z	0Z	1Z
November	7K	8X	9X	0X	1X
December	7L	8Y	9Y	0Y	1Y

6 Application form

Date:			
Contact:			
Customer:			
Location:			
Overall quantity per year:			
Minimum batch size:			
Delivery time requested:	Feasibility:	Prototypes:	Series:
Target price:			
Type of application:			

External gear pump general data					
Rotation	S	D	R	Speed range	
Displacement: Single pump (cm ³ /rev)				Continuous work pressure (bar)	1st 2nd 3rd
Double pump (cm ³ /rev)	1st	2nd		Peak work pressure (bar)	1st 2nd 3rd
Multiple pump (cm ³ /rev)	1st	2nd	3rd	Oil type	
Drive shaft				Oil temperature (°C)	min max
Port type				Oil viscosity (cSt)	min max
Front cover type				Suction line pressure	
Bearing support				Voltage	
Front cover material				Drain case pressure	
Intermediate cover (with or without shaft seal)	with	without		Radial load (N)	
Back cover type/circuit				Axial load (N)	
Back cover material	aluminium	cast iron		Working hours per year	
Valves				Cycles per year	

Additional notes:

info.it@bucherhydraulics.com

www.bucherhydraulics.com

© 2017 by Bucher Hydraulics S.p.A, I-42124 Reggio Emilia

All rights reserved.

Data is provided for the purpose of product description only, and must not be construed as warranted characteristics in the legal sense. The information does not relieve users from the duty of conducting their own evaluations and tests. Because the products are subject to continual improvement, we reserve the right to amend the product specifications contained in this catalogue.

Classification: 410.110.000